

The information provided herein is from CONNELY Electronic Co., Ltd. and is confidential. Any disclosure to a party other than the recipient is prohibited. The intellectual properties and its rights contained herein, including but not limited to, trademarks, patents, copyrights, trade secrets, and technical know-how, are owned exclusively by CONNELY or its affiliates. Unauthorized use of this information is prohibited. CONNELY may enforce its intellectual property rights at its own discretion; failures or delays to exercise such rights does not constitute a waiver of such rights.

1 2 3 4 5 6 7 8

REV.	DESCRIPTION	DRAWN	CHECKED	APPROVED
A	NEW RELEASE	YCH 06/12/07'		LJC 06/12/07'
B	DRAWING UPDATE	JLZ 08/27/18'		

Dept Qty
 DC 1
 ED 1
 IE 1
 ISO 1
 PD 1
 R&D 1
 SD 1
 QA 1
 QC 1
 QF 1
 A
 B
 C
 D
 E
 F
 G
 H

N=NUMBER OF CONTACTS

1. PRODUCT NUMBER CODE:

DS1015-03 -XX B X A X - X - X

CABLE STYLE

A: TYPE A

LENGTH DIM L

0150: L=150mm

WIRE DIAMETER

1:∅0.100 FOLWER MARK

2:∅0.127 RED MARK

3:∅0.100 RED MARK

4:∅0.127 FOLWER MARK

FLAT CABLE COLOR

A: GRAY

CONTACT PLATING

2: GOLD+NICKEL

6: FULL TIN

8: FULL GOLD FLASH

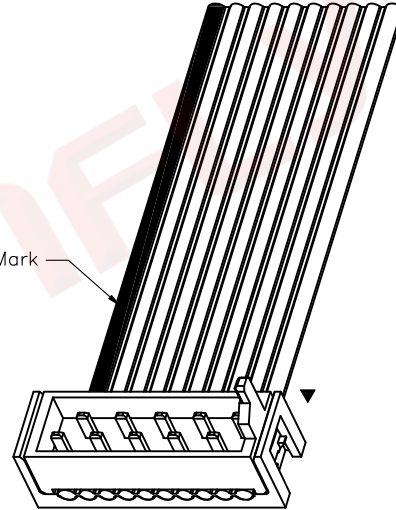
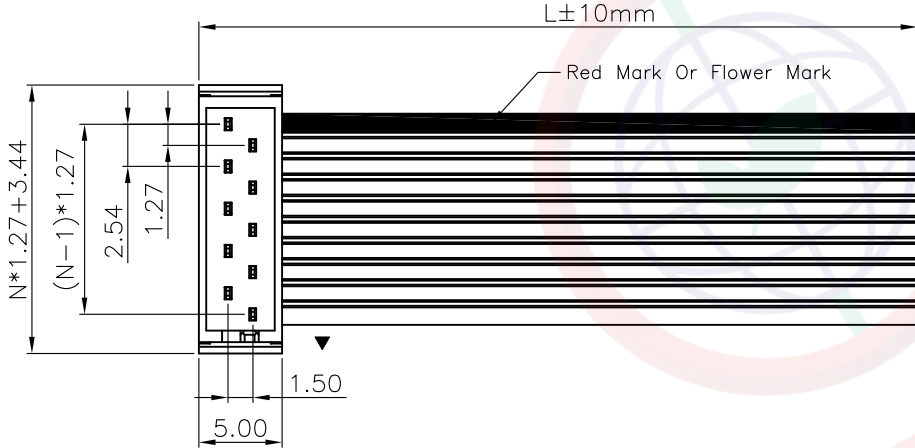
HOUSING COLOR

R:RED

NO.OF CONTACTS

04 06 08 10 12

14 16 18 20 24



GENERAL TOLERANCE		ANGLE TOLERANCE	
X.	±0.60	X.	±5'
.X	±0.38	.X	±3'
.XX	±0.25	.XX	±2'
DRAWING TYPE		CUSTOMER	
SCALE	1:1	SHEET	1 OF 1
DRAWING NO.	C-DS1015-03-XXXXX-X-A-B		

PROJECTION	TITLE
	DS1015-03 (1*DS1015-01)
UNITS	mm
SHEET SIZE	A4
SERIES	DS1015-03 SERIES

晨翔电子有限公司
CONNELY CONNELY ELECTRONIC CO. LTD

1 2 3 4 5 6 7 8

Dept
Qty
DC 1
ED 1
IE 1
ISO 1
PD 1
R&D 1
SD 1
QA 1
QC 1
QF 1

The information provided herein is from CONNELY Electronic Co., Ltd. and is confidential. Any disclosure to a party other than the recipient is prohibited. The intellectual properties and its rights contained herein, including but not limited to, trademarks, patents, copyrights, trade secrets, and technical know-how, are owned exclusively by CONNELY or its affiliates. Unauthorized use or reproduction of this drawing or its use in any format or manner. CONNELY may enforce its intellectual property rights at its own discretion; failures or delays to exercise such rights does not constitute a waiver of such rights.

REV.	DESCRIPTION	DRAWN	CHECKED	APPROVED
A	NEW RELEASE	YCH 06/12/07'		LJC 06/12/07'
B	DRAWING UPDATE	JLZ 08/27/18'		

N=NUMBER OF CONTACTS

1. PRODUCT NUMBER CODE:

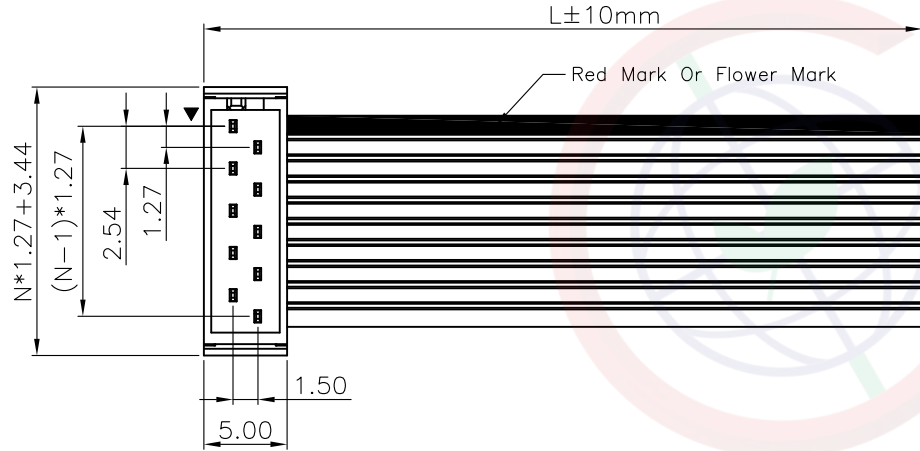
DS1015-03 -XX B X A X - X - X

CABLE STYLE
B: TYPE B
LENGTH DIM L
0150: L=150mm

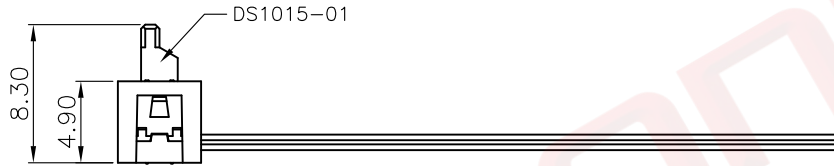
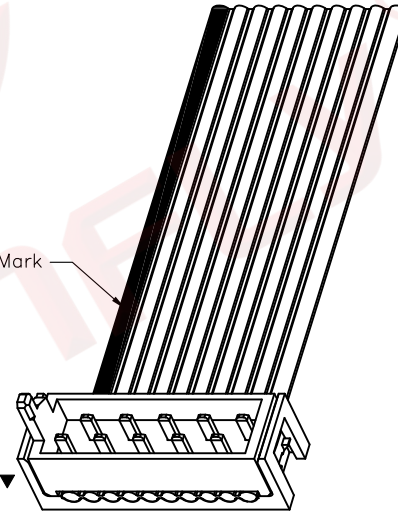
WIRE DIAMETER
1:φ0.100 FOLWER MARK
2:φ0.127 RED MARK
3:φ0.100 RED MARK
4:φ0.127 FOLWER MARK

FLAT CABLE COLOR
A: GRAY
CONTACT PLATING
2: GOLD+NICKEL
6: FULL TIN
8: FULL GOLD FLASH

HOUSING COLOR
R:RED
NO.OF CONTACTS
04 06 08 10 12
14 16 18 20 24



Red Mark Or Flower Mark

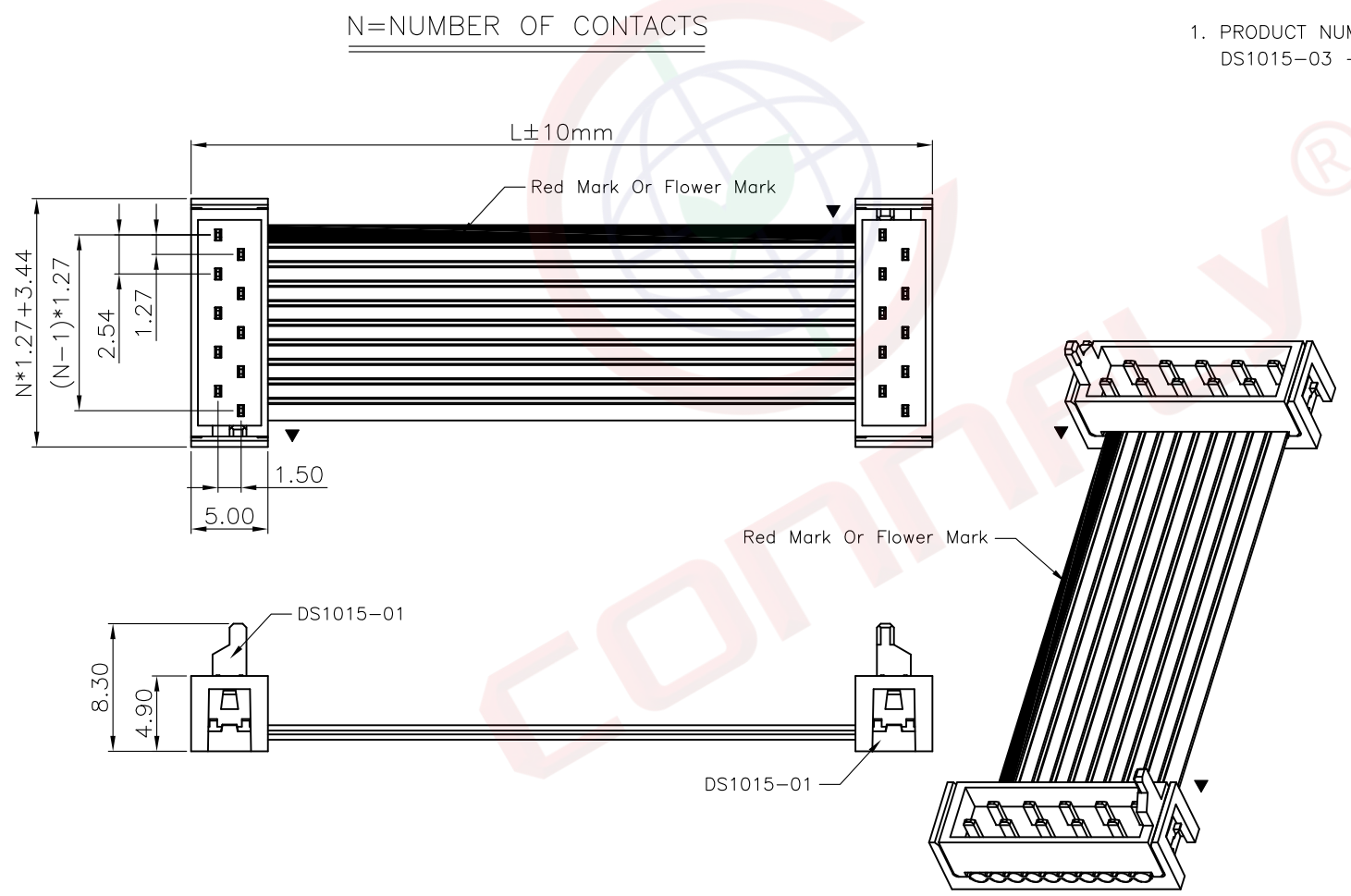


GENERAL TOLERANCE		ANGLE TOLERANCE		PROJECTION	UNIT	TITLE	
X.	±0.60	X.	±5°		mm	DS1015-03 (1*DS1015-01)	
.X	±0.38	.X	±3°	UNITS	A4	SERIES	DS1015-03 SERIES
.XX	±0.25	.XX	±2°	SHEET SIZE			
DRAWING TYPE				CUSTOMER			
SCALE		1:1		SHEET		1 OF 1	
DRAWING NO.		C-DS1015-03-XXXXX-X-B-B					
晨翔电子有限公司 CONNELY CONNELY ELECTRONIC CO. LTD							

Dept	
Qty	
DC	1
ED	1
IE	1
ISO	1
PD	1
R&D	1
SD	1
QA	1
QC	1
QF	1

The information provided herein is from CONNELY Electronic Co., Ltd. and is confidential. Any disclosure to a party other than the recipient is prohibited. The intellectual properties and its rights contained herein, including but not limited to, trademarks, patents, copyrights, trade secrets, and technical know-how, are owned exclusively by CONNELY or its affiliates. Unauthorized use or reproduction of this information in any format or manner, CONNELY may enforce its intellectual property rights at its own discretion; failures or delays to exercise such rights does not constitute a waiver of such rights.

REV.	DESCRIPTION	DRAWN	CHECKED	APPROVED
A	NEW RELEASE	YCH 06/12/07'		LJC 06/12/07'
B	DRAWING UPDATE	JLZ 08/27/18'		

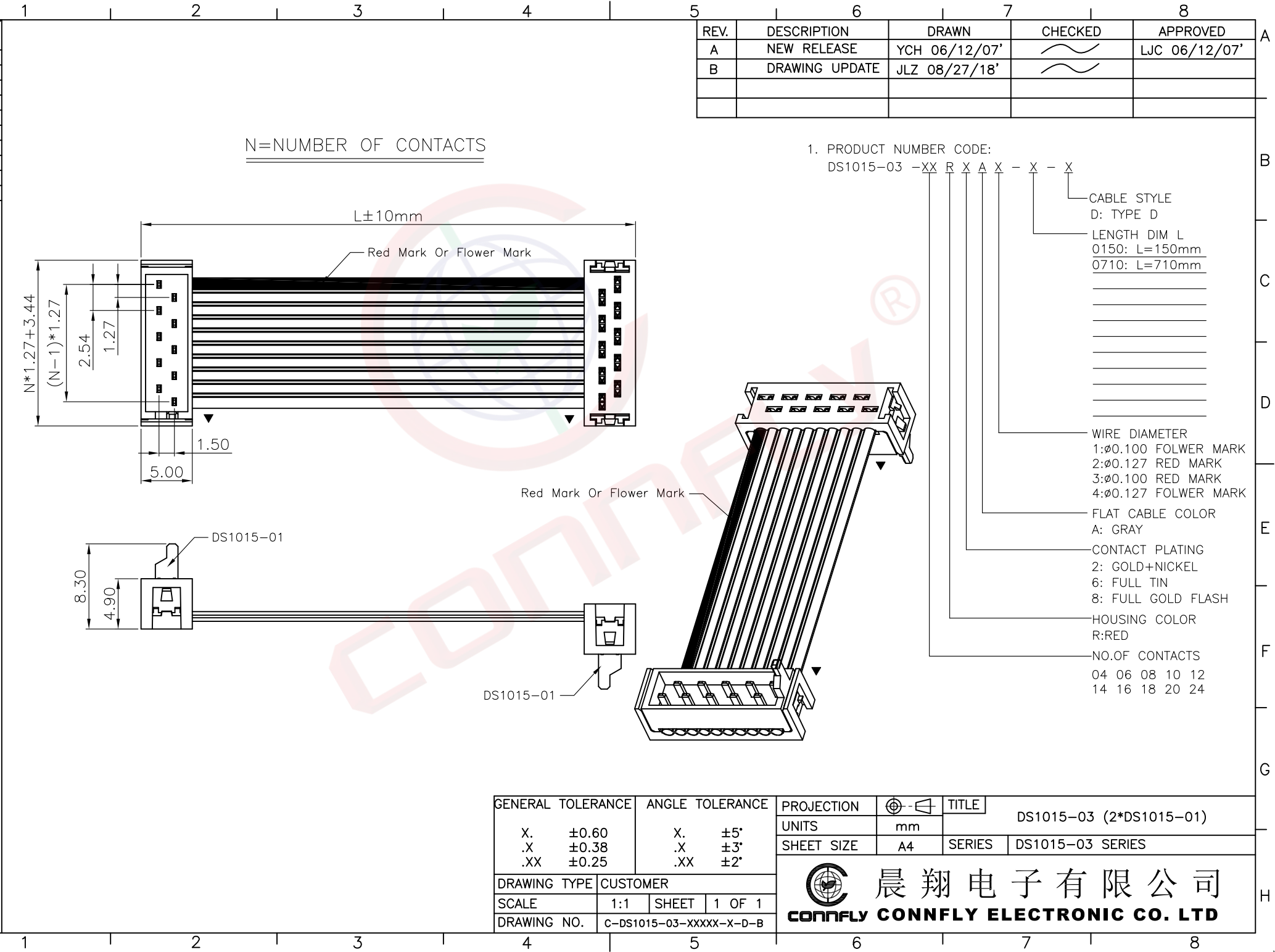


1. PRODUCT NUMBER CODE:
- DS1015-03 -XX B X A X - X - X
- CABLE STYLE
 - C: TYPE C
 - LENGTH DIM L
 - 0150: L=150mm

 - WIRE DIAMETER
 - 1:∅0.100 FOLWER MARK
 - 2:∅0.127 RED MARK
 - 3:∅0.100 RED MARK
 - 4:∅0.127 FOLWER MARK
 - FLAT CABLE COLOR
 - A: GRAY
 - CONTACT PLATING
 - 2: GOLD+NICKEL
 - 6: FULL TIN
 - 8: FULL GOLD FLASH
 - HOUSING COLOR
 - R:RED
 - NO.OF CONTACTS
 - 04 06 08 10 12
 - 14 16 18 20 24

GENERAL TOLERANCE	ANGLE TOLERANCE	PROJECTION	TITLE
X. ±0.60	X. ±5°		DS1015-03 (2*DS1015-01)
.X ±0.38	.X ±3°	mm	
.XX ±0.25	.XX ±2°	A4	
DRAWING TYPE	CUSTOMER	SHEET SIZE	SERIES DS1015-03 SERIES
SCALE	1:1 SHEET 1 OF 1	晨翔电子有限公司 CONNELY CONNELY ELECTRONIC CO. LTD	
DRAWING NO.	C-DS1015-03-XXXXX-X-C-B		

The information provided herein is from CONNELY Electronic Co., Ltd. and is confidential. Any disclosure to a party other than the recipient is prohibited. The intellectual properties and its rights contained herein, including but not limited to, trademarks, patents, copyrights, trade secrets, and technical know-how, are owned exclusively by CONNELY or its affiliates. Unauthorized use of the information herein without the prior written consent of CONNELY may result in legal action. CONNELY may enforce its intellectual property rights at its own discretion, failures or delays to exercise such rights does not constitute a waiver of such rights.



N=NUMBER OF CONTACTS

REV.	DESCRIPTION	DRAWN	CHECKED	APPROVED
A	NEW RELEASE	YCH 06/12/07'		LJC 06/12/07'
B	DRAWING UPDATE	JLZ 08/27/18'		

1. PRODUCT NUMBER CODE:
DS1015-03 -XX R X A X - X - X

- CABLE STYLE
- D: TYPE D
- LENGTH DIM L
0150: L=150mm
0710: L=710mm
- WIRE DIAMETER
- 1:∅0.100 FOLWER MARK
- 2:∅0.127 RED MARK
- 3:∅0.100 RED MARK
- 4:∅0.127 FOLWER MARK
- FLAT CABLE COLOR
- A: GRAY
- CONTACT PLATING
- 2: GOLD+NICKEL
- 6: FULL TIN
- 8: FULL GOLD FLASH
- HOUSING COLOR
- R:RED
- NO.OF CONTACTS
- 04 06 08 10 12
14 16 18 20 24

GENERAL TOLERANCE		ANGLE TOLERANCE	
X.	±0.60	X.	±5°
.X	±0.38	.X	±3°
.XX	±0.25	.XX	±2°

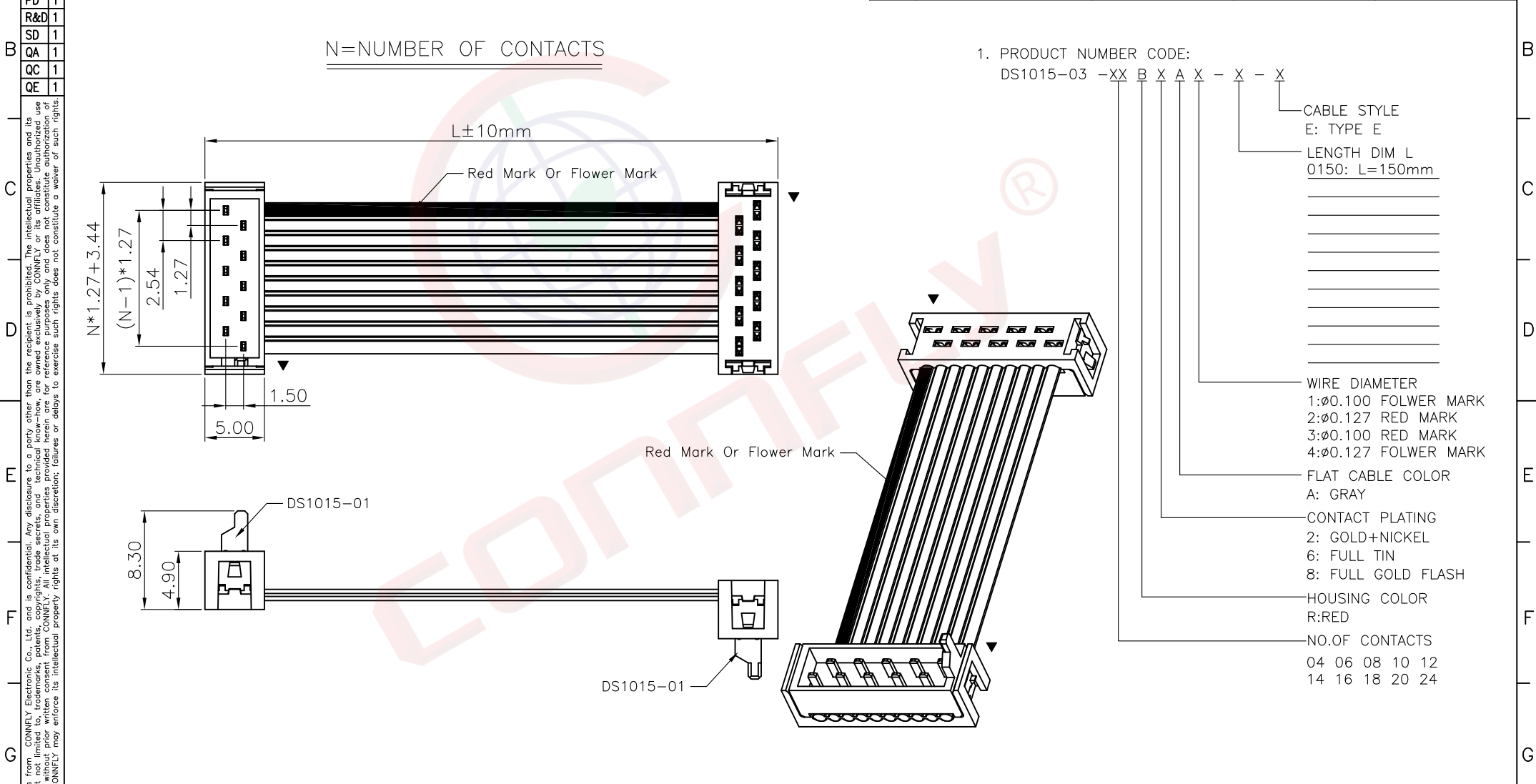
PROJECTION	TITLE
	DS1015-03 (2*DS1015-01)
UNITS	mm
SHEET SIZE	A4
SERIES	DS1015-03 SERIES

DRAWING TYPE	CUSTOMER		
SCALE	1:1	SHEET	1 OF 1
DRAWING NO.	C-DS1015-03-XXXX-X-D-B		

晨翔电子有限公司
CONNFLY CONNELY ELECTRONIC CO. LTD

Dept	Qty
DC	1
ED	1
IE	1
ISO	1
PD	1
R&D	1
SD	1
QA	1
QC	1
QE	1

Dept	REV.	DESCRIPTION	DRAWN	CHECKED	APPROVED
Qty	A	NEW RELEASE	YCH 06/12/07'		LJC 06/12/07'
DC	B	DRAWING UPDATE	JLZ 08/27/18'		
ED					
IE					
ISO					
PD					
R&D					
SD					
QA					
QC					
QF					



GENERAL TOLERANCE		ANGLE TOLERANCE		PROJECTION		TITLE	DS1015-03 (2*DS1015-01)	
X.	±0.60	X.	±5°	UNITS	mm	SHEET SIZE	A4	
.X	±0.38	.X	±3°	SHEET SIZE	A4	SERIES	DS1015-03 SERIES	
.XX	±0.25	.XX	±2°	晨翔电子有限公司 CONNFLY CONNFLY ELECTRONIC CO. LTD				
DRAWING TYPE		CUSTOMER						
SCALE		1:1						
DRAWING NO.		C-DS1015-03-XXXX-X-E-B						

1. PRODUCT NUMBER CODE:
 DS1015-03 -XX B X A X - X - X
- CABLE STYLE
E: TYPE E
 - LENGTH DIM L
0150: L=150mm
 - WIRE DIAMETER
1:∅0.100 FOLWER MARK
2:∅0.127 RED MARK
3:∅0.100 RED MARK
4:∅0.127 FOLWER MARK
 - FLAT CABLE COLOR
A: GRAY
 - CONTACT PLATING
2: GOLD+NICKEL
6: FULL TIN
8: FULL GOLD FLASH
 - HOUSING COLOR
R:RED
 - NO.OF CONTACTS
04 06 08 10 12
14 16 18 20 24

The information provided herein is from CONNFLY Electronic Co., Ltd. and is confidential. Any disclosure to a party other than the intended recipient is prohibited. The intellectual properties and its rights contained herein, including but not limited to, trademarks, patents, copyrights, trade secrets, and technical know-how, are owned exclusively by CONNFLY or its affiliates. Unauthorized use or reproduction of this document in any form or manner, including its use in any format or manner, CONNFLY may enforce its intellectual property rights at its own discretion; failures or delays to exercise such rights does not constitute a waiver of such rights.

The information provided herein is from CONNELY Electronic Co., Ltd. and is confidential. Any disclosure to a party other than the recipient is prohibited. The intellectual properties and its rights contained herein, including but not limited to, trademarks, patents, copyrights, trade secrets, and technical know-how, are owned exclusively by CONNELY or its affiliates. Unauthorized use of this information in any format or manner. CONNELY may enforce its intellectual property rights at its own discretion; failures or delays to exercise such rights does not constitute a waiver of such rights.

1 2 3 4 5 6 7 8

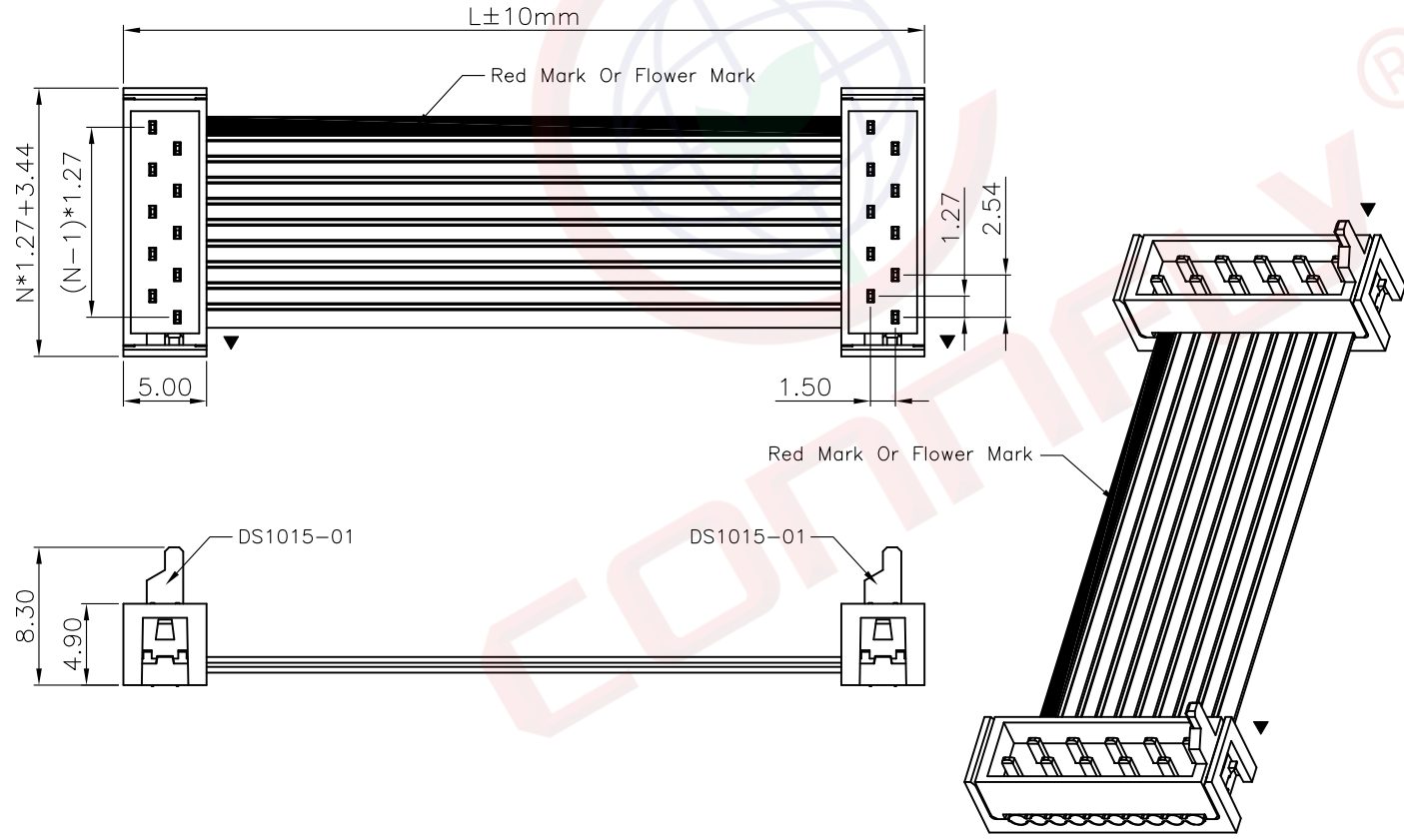
REV.	DESCRIPTION	DRAWN	CHECKED	APPROVED
A	NEW RELEASE	YCH 06/12/07'		LJC 06/12/07'
B	DRAWING UPDATE	JLZ 08/27/18'		

A Dept Qty
 DC 1
 ED 1
 IE 1
 ISO 1
 PD 1
 R&D 1
 SD 1
 QA 1
 QC 1
 QF 1
 B
 C
 D
 E
 F
 G
 H

N=NUMBER OF CONTACTS

1. PRODUCT NUMBER CODE:

DS1015-03 -XX B X A X - X - X



- CABLE STYLE
F: TYPE F
- LENGTH DIM L
0150: L=150mm
0130: L=130mm
0120: L=120mm
0070: L=70mm
0060: L=60mm
1000: L=1000mm
- WIRE DIAMETER
1:∅0.100 FOLWER MARK
2:∅0.127 RED MARK
3:∅0.100 RED MARK
4:∅0.127 FOLWER MARK
- FLAT CABLE COLOR
A: GRAY
- CONTACT PLATING
2: GOLD+NICKEL
6: FULL TIN
8: FULL GOLD FLASH
- HOUSING COLOR
R:RED
- NO.OF CONTACTS
04 06 08 10 12
14 16 18 20 24

GENERAL TOLERANCE		ANGLE TOLERANCE	
X.	±0.60	X.	±5°
.X	±0.38	.X	±3°
.XX	±0.25	.XX	±2°
DRAWING TYPE		CUSTOMER	
SCALE	1:1	SHEET	1 OF 1
DRAWING NO.	C-DS1015-03-XXXXX-X-F-B		

PROJECTION	TITLE
	DS1015-03 (2*DS1015-01)
UNITS	mm
SHEET SIZE	A4
SERIES	DS1015-03 SERIES

晨翔电子有限公司
CONNELY CONNELY ELECTRONIC CO. LTD

1 2 3 4 5 6 7 8

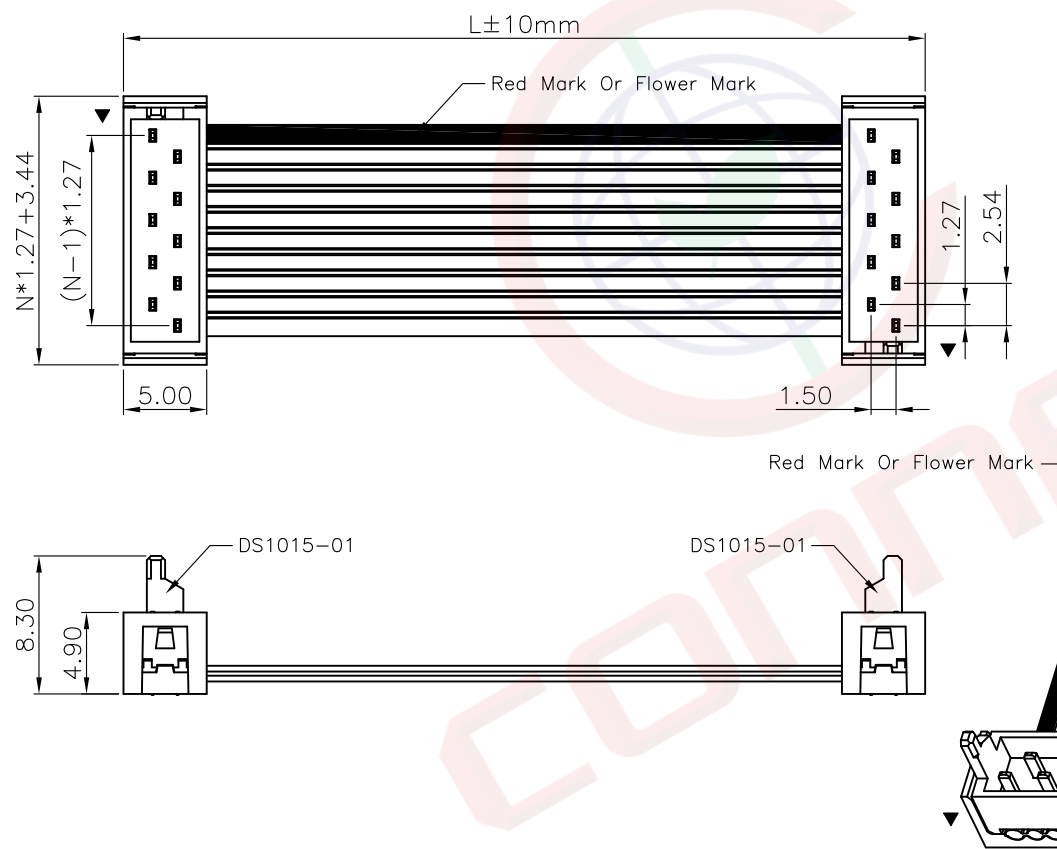
Dept Qty
DC 1
ED 1
IE 1
ISO 1
PD 1
R&D 1
SD 1
QA 1
QC 1
QF 1

The information provided herein is from CONNELY Electronic Co., Ltd. and is confidential. Any disclosure to a party other than the recipient is prohibited. The intellectual properties and its rights contained herein, including but not limited to, trademarks, patents, copyrights, trade secrets, and technical know-how, are owned exclusively by CONNELY or its affiliates. Unauthorized use or reproduction of this document in any form or manner, including photocopying, recording, or by any information storage and retrieval system, is strictly prohibited. CONNELY may enforce its intellectual property rights at its own discretion; failures or delays to exercise such rights does not constitute a waiver of such rights.

REV.	DESCRIPTION	DRAWN	CHECKED	APPROVED
A	NEW RELEASE	YCH 06/12/07'		LJC 06/12/07'
B	DRAWING UPDATE	JLZ 08/27/18'		

N=NUMBER OF CONTACTS

1. PRODUCT NUMBER CODE:
DS1015-03 -XX B X A X - X - X



- CABLE STYLE
G: TYPE G
- LENGTH DIM L
0150: L=150mm
- _____
- _____
- _____
- _____
- _____
- _____
- _____
- WIRE DIAMETER
1: ϕ 0.100 FOLWER MARK
2: ϕ 0.127 RED MARK
3: ϕ 0.100 RED MARK
4: ϕ 0.127 FOLWER MARK
- FLAT CABLE COLOR
A: GRAY
- CONTACT PLATING
2: GOLD+NICKEL
6: FULL TIN
8: FULL GOLD FLASH
- HOUSING COLOR
R:RED
- NO.OF CONTACTS
04 06 08 10 12
14 16 18 20 24

GENERAL TOLERANCE	ANGLE TOLERANCE
.X ±0.60	.X ±5°
.X ±0.38	.X ±3°
.XX ±0.25	.XX ±2°

PROJECTION	TITLE
	DS1015-03 (2*DS1015-01)
UNITS	mm
SHEET SIZE	A4

DRAWING TYPE	CUSTOMER
SCALE	1:1 SHEET 1 OF 1
DRAWING NO.	C-DS1015-03-XXXXX-X-G-B

 晨翔电子有限公司
CONNFLY CONNELY ELECTRONIC CO. LTD

The information provided herein is from CONNELY Electronic Co., Ltd. and is confidential. Any disclosure to a party other than the recipient is prohibited. The intellectual properties and its rights contained herein, including but not limited to, trademarks, patents, copyrights, trade secrets, and technical know-how, are owned exclusively by CONNELY or its affiliates. Unauthorized use of this information in any format or manner, CONNELY may enforce its intellectual property rights at its own discretion; failures or delays to exercise such rights does not constitute a waiver of such rights.

1 2 3 4 5 6 7 8

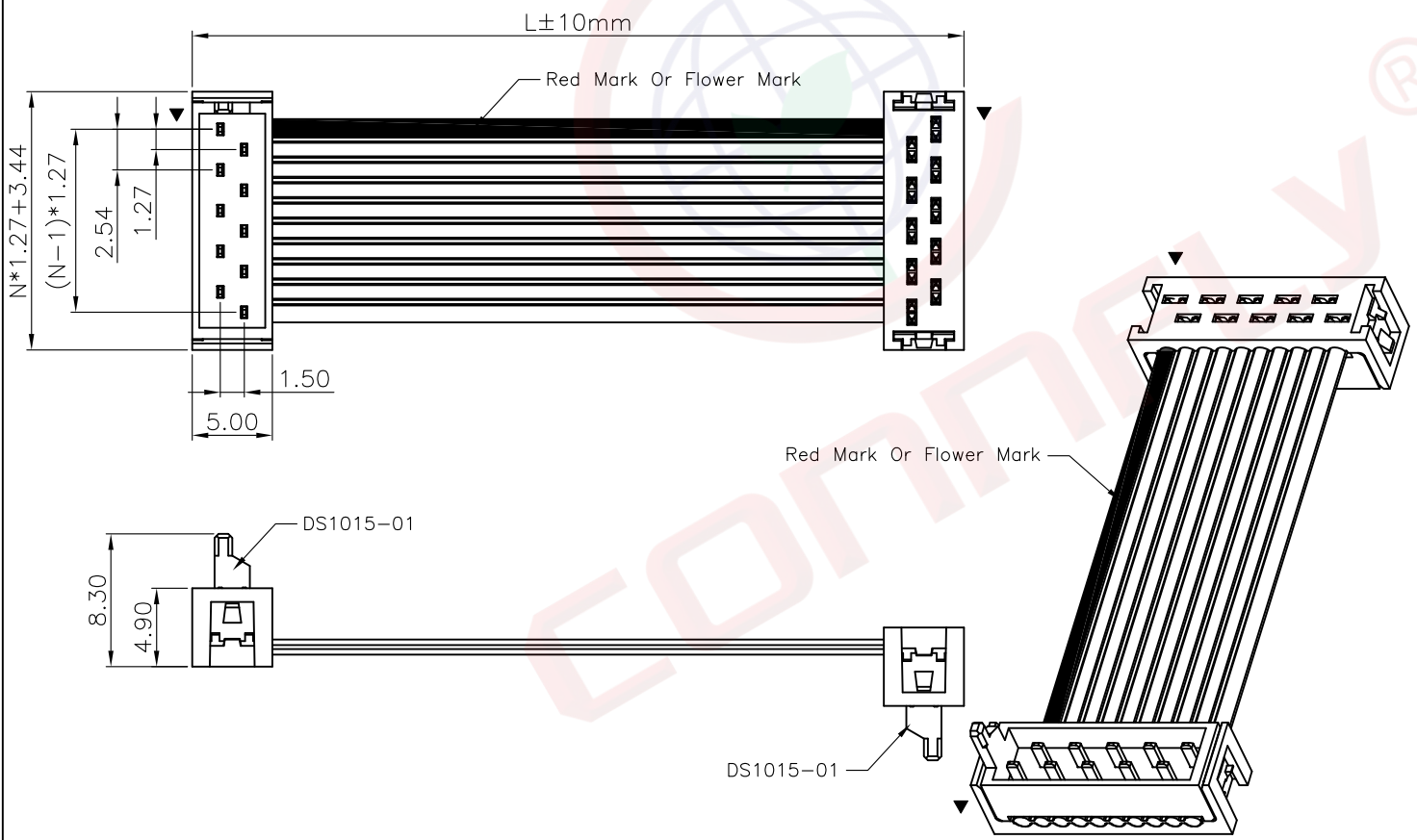
REV.	DESCRIPTION	DRAWN	CHECKED	APPROVED
A	NEW RELEASE	YCH 06/12/07'		LJC 06/12/07'
B	DRAWING UPDATE	JLZ 08/27/18'		

A Dept Qty
 DC 1
 ED 1
 IE 1
 ISO 1
 PD 1
 R&D 1
 SD 1
 QA 1
 QC 1
 QF 1
 B
 C
 D
 F
 G
 H

N=NUMBER OF CONTACTS

1. PRODUCT NUMBER CODE:

DS1015-03 -XX B X A X - X - X



- CABLE STYLE
H: TYPE H
- LENGTH DIM L
0150: L=150mm
- _____
- _____
- _____
- _____
- _____
- _____
- _____
- WIRE DIAMETER
1:∅0.100 FOLWER MARK
2:∅0.127 RED MARK
3:∅0.100 RED MARK
4:∅0.127 FOLWER MARK
- FLAT CABLE COLOR
A: GRAY
- CONTACT PLATING
2: GOLD+NICKEL
6: FULL TIN
8: FULL GOLD FLASH
- HOUSING COLOR
R:RED
- NO.OF CONTACTS
04 06 08 10 12
14 16 18 20 24

GENERAL TOLERANCE		ANGLE TOLERANCE		PROJECTION		TITLE	DS1015-03 (2*DS1015-01)	
X.	±0.60	X.	±5°	UNITS	mm			
.X	±0.38	.X	±3°	SHEET SIZE	A4	SERIES	DS1015-03 SERIES	
.XX	±0.25	.XX	±2°	晨翔电子有限公司 CONNELY CONNELY ELECTRONIC CO. LTD				
DRAWING TYPE		CUSTOMER						
SCALE		1:1	SHEET 1 OF 1					
DRAWING NO.		C-DS1015-03-XXXXX-X-H-B						

1 2 3 4 5 6 7 8

Dept		1	2	3	4	5	6	7	8
Qty									
DC	1								
ED	1								
IE	1								
ISO	1								
PD	1								
R&D	1								
SD	1								
QA	1								
QC	1								
QF	1								

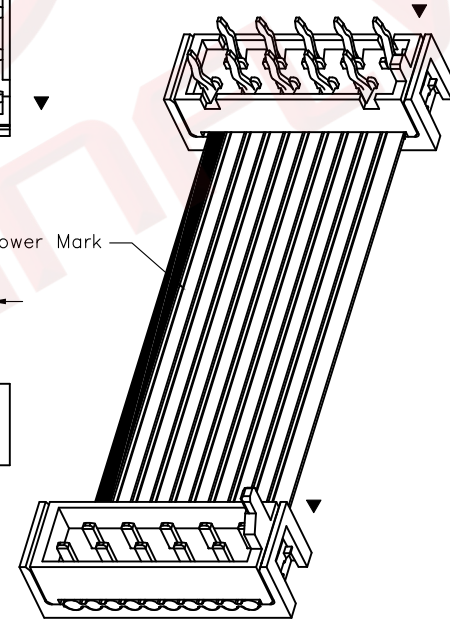
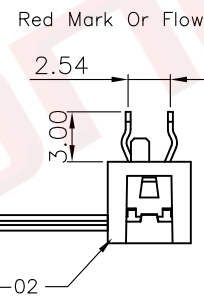
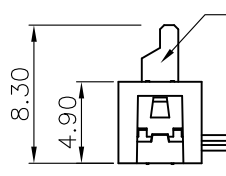
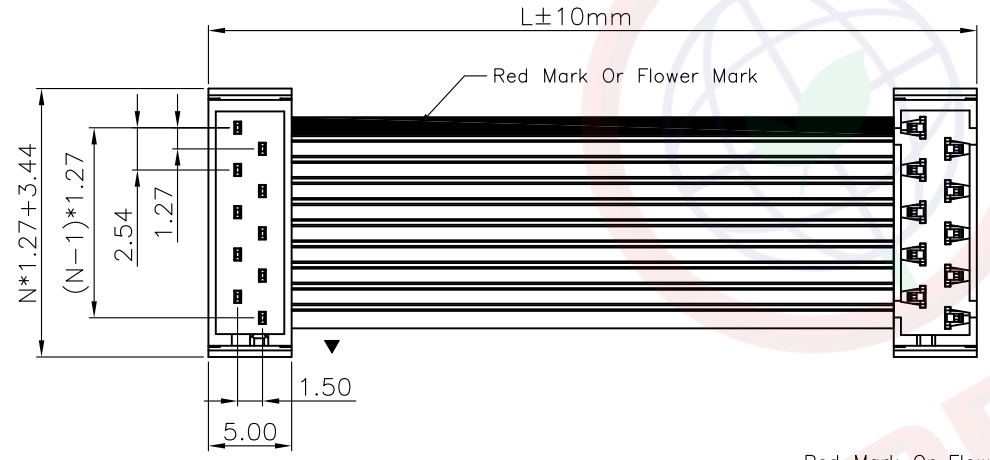
REV.	DESCRIPTION	DRAWN	CHECKED	APPROVED
A	NEW RELEASE	YCH 06/12/07'		LJC 06/12/07'
B	DRAWING UPDATE	JLZ 08/27/18'		

The information provided herein is from CONNELY Electronic Co., Ltd. and is confidential. Any disclosure to a party other than the recipient is prohibited. The intellectual properties and its rights contained herein, including but not limited to, trademarks, patents, copyrights, trade secrets, and technical know-how, are owned exclusively by CONNELY or its affiliates. Unauthorized use of this information in any format or manner. CONNELY may enforce its intellectual property rights at its own discretion; failures or delays to exercise such rights does not constitute a waiver of such rights.

N=NUMBER OF CONTACTS

1. PRODUCT NUMBER CODE:

DS1015-03 -XX B X A X - X - X

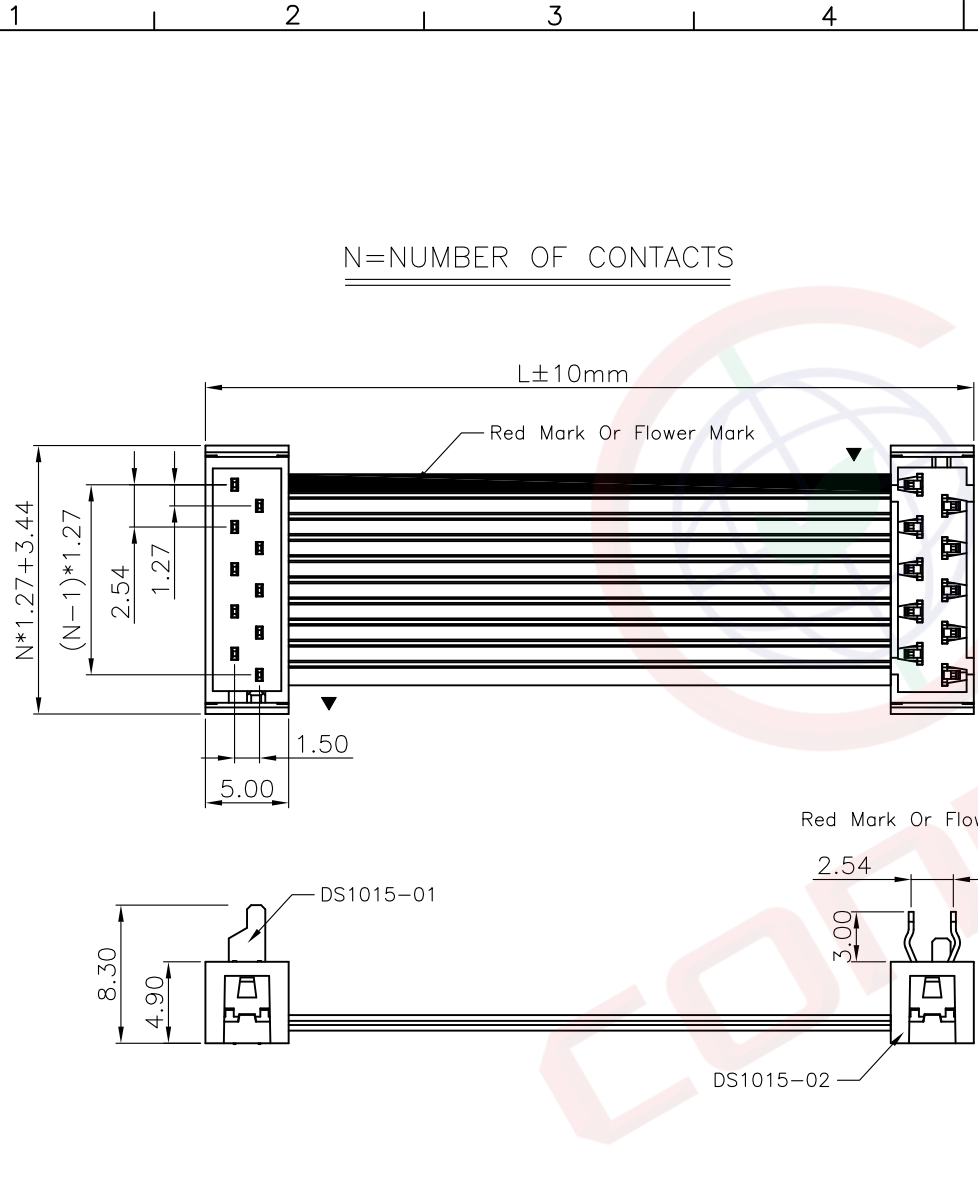


- CABLE STYLE
J: TYPE J
- LENGTH DIM L
0150: L=150mm
- _____
- _____
- _____
- _____
- _____
- _____
- _____
- WIRE DIAMETER
1:∅0.100 FOLWER MARK
2:∅0.127 RED MARK
3:∅0.100 RED MARK
4:∅0.127 FOLWER MARK
- FLAT CABLE COLOR
A: GRAY
- CONTACT PLATING
2: GOLD+NICKEL
6: FULL TIN
8: FULL GOLD FLASH
- HOUSING COLOR
R:RED
- NO.OF CONTACTS
04 06 08 10 12
14 16 18 20 24

GENERAL TOLERANCE		ANGLE TOLERANCE		PROJECTION		TITLE	DS1015-03 (1*DS1015-01&1*DS1015-02)	
X.	±0.60	X.	±5°	UNITS	mm	SHEET SIZE	A4	SERIES DS1015-03 SERIES
.X	±0.38	.X	±3°					
.XX	±0.25	.XX	±2°					
DRAWING TYPE		CUSTOMER						
SCALE		1:1	SHEET		1 OF 1			
DRAWING NO.		C-DS1015-03-XXXXX-X-J-B						

晨翔电子有限公司
CONNELY CONNELY ELECTRONIC CO. LTD

The information provided herein is from CONNELY Electronic Co., Ltd. and is confidential. Any disclosure to a party other than the recipient is prohibited. The intellectual properties and its rights contained herein, including but not limited to, trademarks, patents, copyrights, trade secrets, and technical know-how, are owned exclusively by CONNELY or its affiliates. Unauthorized use of this information in any format or manner, CONNELY may enforce its intellectual property rights at its own discretion; failures or delays to exercise such rights does not constitute a waiver of such rights.



N=NUMBER OF CONTACTS

REV.	DESCRIPTION	DRAWN	CHECKED	APPROVED
A	NEW RELEASE	YCH 06/12/07'		LJC 06/12/07'
B	DRAWING UPDATE	JLZ 08/27/18'		

1. PRODUCT NUMBER CODE:

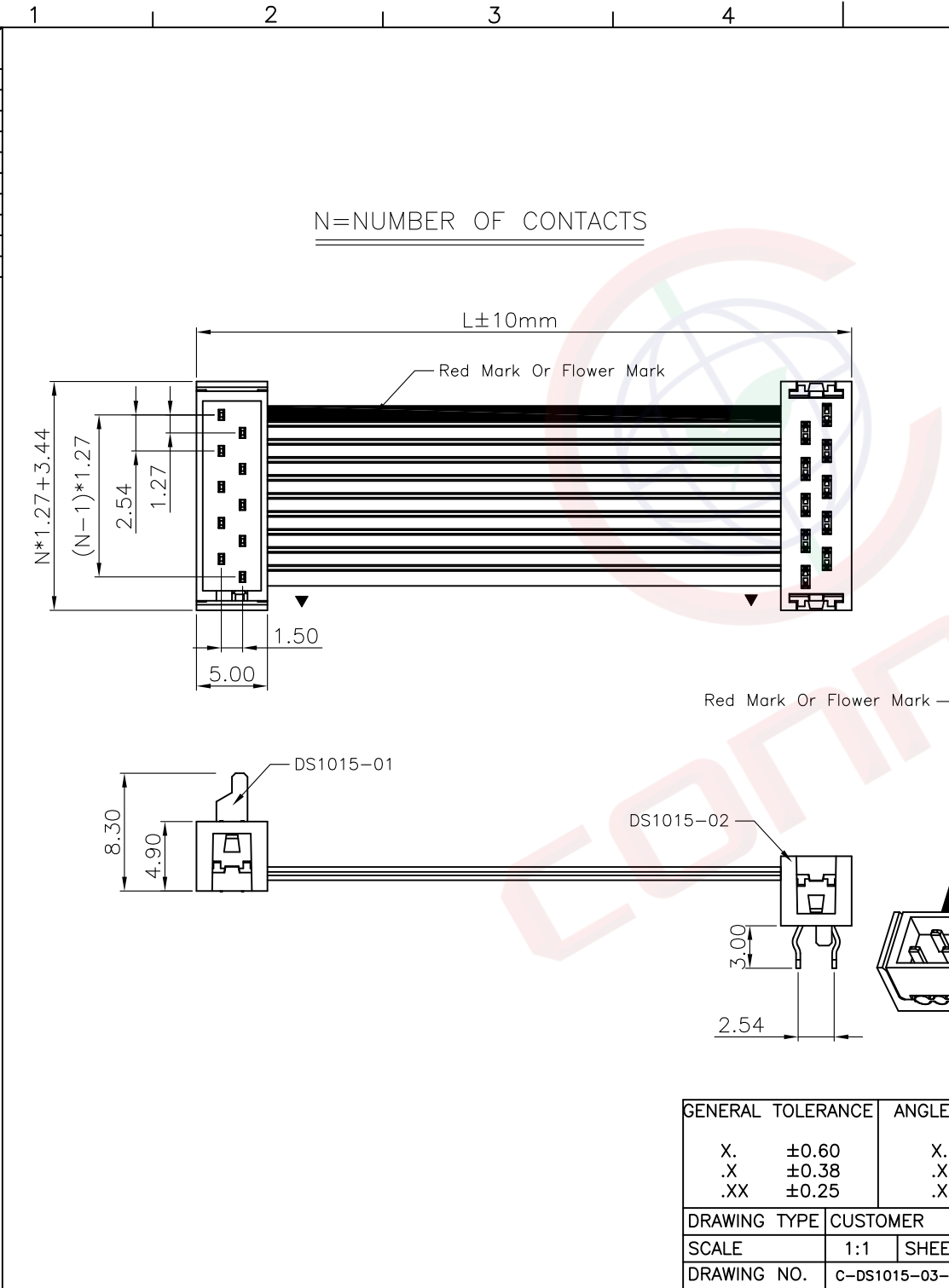
DS1015-03 -XX B X A X - X - X

- CABLE STYLE
- K: TYPE K
- LENGTH DIM L
- 0150: L=150mm

- WIRE DIAMETER
- 1:φ0.100 FOLWER MARK
- 2:φ0.127 RED MARK
- 3:φ0.100 RED MARK
- 4:φ0.127 FOLWER MARK
- FLAT CABLE COLOR
- A: GRAY
- CONTACT PLATING
- 2: GOLD+NICKEL
- 6: FULL TIN
- 8: FULL GOLD FLASH
- HOUSING COLOR
- R:RED
- NO.OF CONTACTS
- 04 06 08 10 12
- 14 16 18 20 24

GENERAL TOLERANCE		ANGLE TOLERANCE		PROJECTION		TITLE	DS1015-03 (1*DS1015-01&1*DS1015-02)		
X.	±0.60	X.	±5'	UNITS	mm	SHEET SIZE	A4		
.X	±0.38	.X	±3'	SHEET SIZE	A4	SERIES	DS1015-03 SERIES		
.XX	±0.25	.XX	±2'	晨翔电子有限公司 CONNELY CONNELY ELECTRONIC CO. LTD					
DRAWING TYPE		CUSTOMER							
SCALE		1:1	SHEET 1 OF 1						
DRAWING NO.		C-DS1015-03-XXXX-X-K-B							

The information provided herein is from CONNELY Electronic Co., Ltd. and is confidential. Any disclosure to a party other than the recipient is prohibited. The intellectual properties and its rights contained herein, including but not limited to, trademarks, patents, copyrights, trade secrets, and technical know-how, are owned exclusively by CONNELY or its affiliates. Unauthorized use or reproduction of this information in any format or manner. CONNELY may enforce its intellectual property rights at its own discretion; failures or delays to exercise such rights does not constitute a waiver of such rights.



REV.	DESCRIPTION	DRAWN	CHECKED	APPROVED
A	NEW RELEASE	YCH 06/12/07'		LJC 06/12/07'
B	DRAWING UPDATE	JLZ 08/27/18'		

1. PRODUCT NUMBER CODE:
 DS1015-03 -XX B X A X - X - X
- CABLE STYLE
M: TYPE M
 - LENGTH DIM L
0150: L=150mm
 - _____
 - _____
 - _____
 - _____
 - _____
 - _____
 - _____
 - WIRE DIAMETER
1: $\phi 0.100$ FOLWER MARK
2: $\phi 0.127$ RED MARK
3: $\phi 0.100$ RED MARK
4: $\phi 0.127$ FOLWER MARK
 - FLAT CABLE COLOR
A: GRAY
 - CONTACT PLATING
2: GOLD+NICKEL
6: FULL TIN
8: FULL GOLD FLASH
 - HOUSING COLOR
R: RED
 - NO.OF CONTACTS
04 06 08 10 12
14 16 18 20 24

GENERAL TOLERANCE		ANGLE TOLERANCE		PROJECTION		TITLE
X.	± 0.60	X.	$\pm 5^\circ$	UNITS	mm	DS1015-03 (1*DS1015-01&1*DS1015-02)
.X	± 0.38	.X	$\pm 3^\circ$	SHEET SIZE	A4	SERIES DS1015-03 SERIES
.XX	± 0.25	.XX	$\pm 2^\circ$			
DRAWING TYPE	CUSTOMER			晨翔电子有限公司 CONNFLY CONNFLY ELECTRONIC CO. LTD		
SCALE	1:1	SHEET	1 OF 1			
DRAWING NO.	C-DS1015-03-XXXXX-X-M-B					

A
B
C
D
E
F
G
H

Dept	Qty
DC	1
ED	1
IE	1
ISO	1
PD	1
R&D	1
SD	1
QA	1
QC	1
QF	1

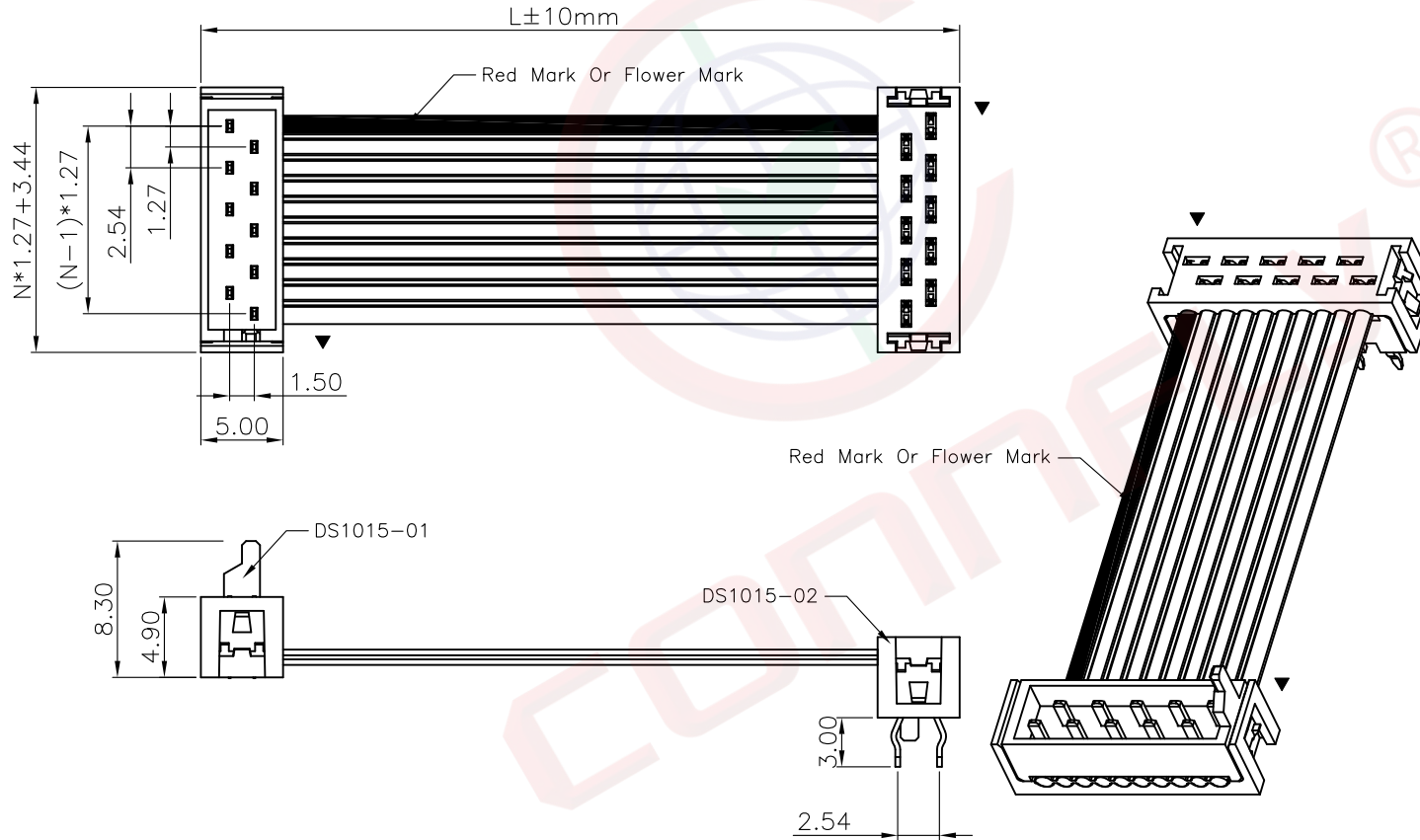
1	2	3	4	5	6	7	8
REV.	DESCRIPTION	DRAWN	CHECKED	APPROVED			
A	NEW RELEASE	YCH 06/12/07'		LJC 06/12/07'			
B	DRAWING UPDATE	JLZ 08/27/18'					

N=NUMBER OF CONTACTS

1. PRODUCT NUMBER CODE:

DS1015-03 -XX B X A X - X - X

- CABLE STYLE
N: TYPE N
LENGTH DIM L
0150: L=150mm
- WIRE DIAMETER
1:∅0.100 FOLWER MARK
2:∅0.127 RED MARK
3:∅0.100 RED MARK
4:∅0.127 FOLWER MARK
- FLAT CABLE COLOR
A: GRAY
- CONTACT PLATING
2: GOLD+NICKEL
6: FULL TIN
8: FULL GOLD FLASH
- HOUSING COLOR
R:RED
- NO.OF CONTACTS
04 06 08 10 12
14 16 18 20 24



The information provided herein is from CONNELY Electronic Co., Ltd. and is confidential. Any disclosure to a party other than the recipient is prohibited. The intellectual properties and its rights contained herein, including but not limited to, trademarks, patents, copyrights, trade secrets, and technical know-how, are owned exclusively by CONNELY or its affiliates. Unauthorized use of the information herein is strictly prohibited. CONNELY may enforce its intellectual property rights at its own discretion; failures or delays to exercise such rights does not constitute a waiver of such rights.

GENERAL TOLERANCE		ANGLE TOLERANCE		PROJECTION		TITLE	
X.	±0.60	X.	±5°	UNITS	mm	DS1015-03 (1*DS1015-01&1*DS1015-02)	
.X	±0.38	.X	±3°	SHEET SIZE	A4	SERIES	DS1015-03 SERIES
.XX	±0.25	.XX	±2°				
DRAWING TYPE		CUSTOMER					
SCALE		1:1	SHEET	1 OF 1			
DRAWING NO.		C-DS1015-03-XXXX-X-N-B					
晨翔电子有限公司 CONNELY CONNELY ELECTRONIC CO. LTD							

The information provided herein is from CONNELY Electronic Co., Ltd. and is confidential. Any disclosure to a party other than the recipient is prohibited. The intellectual properties and its rights contained herein, including but not limited to, trademarks, patents, copyrights, trade secrets, and technical know-how, are owned exclusively by CONNELY or its affiliates. Unauthorized use of this information in any format or manner. CONNELY may enforce its intellectual property rights at its own discretion; failures or delays to exercise such rights does not constitute a waiver of such rights.

1 2 3 4 5 6 7 8

REV.	DESCRIPTION	DRAWN	CHECKED	APPROVED
A	NEW RELEASE	YCH 06/12/07'		LJC 06/12/07'
B	DRAWING UPDATE	JLZ 08/27/18'		

A Dept Qty
 DC 1
 ED 1
 IE 1
 ISO 1
 PD 1
 R&D 1
 SD 1
 QA 1
 QC 1
 QF 1
 B
 C
 D
 E
 F
 G
 H

N=NUMBER OF CONTACTS

1. PRODUCT NUMBER CODE:

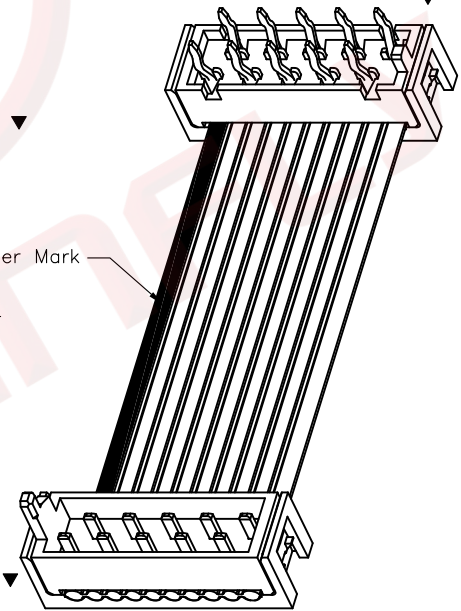
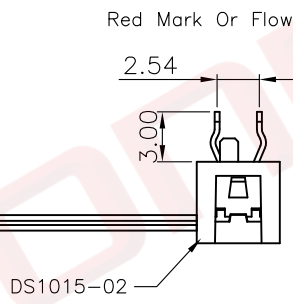
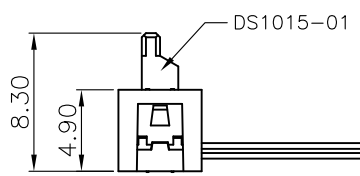
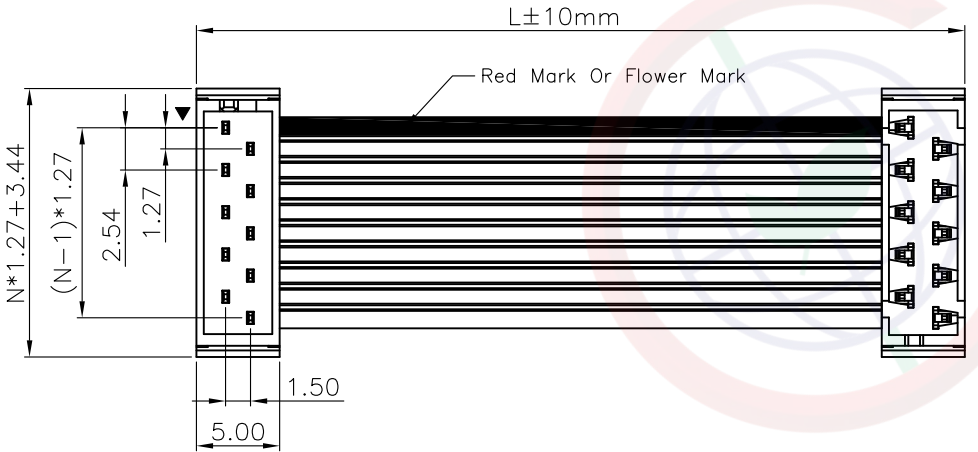
DS1015-03 -XX B X A X - X - X

CABLE STYLE
 P: TYPE P
 LENGTH DIM L
 0150: L=150mm

WIRE DIAMETER
 1:∅0.100 FOLWER MARK
 2:∅0.127 RED MARK
 3:∅0.100 RED MARK
 4:∅0.127 FOLWER MARK

FLAT CABLE COLOR
 A: GRAY
 CONTACT PLATING
 2: GOLD+NICKEL
 6: FULL TIN
 8: FULL GOLD FLASH

HOUSING COLOR
 R:RED
 NO.OF CONTACTS
 04 06 08 10 12
 14 16 18 20 24



GENERAL TOLERANCE		ANGLE TOLERANCE	
X.	±0.60	X.	±5°
.X	±0.38	.X	±3°
.XX	±0.25	.XX	±2°

PROJECTION		TITLE	DS1015-03 (1*DS1015-01&1*DS1015-02)	
UNITS	mm	SHEET SIZE	A4	SERIES DS1015-03 SERIES

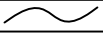
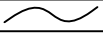
DRAWING TYPE	CUSTOMER			
SCALE	1:1	SHEET	1 OF 1	
DRAWING NO.	C-DS1015-03-XXXXX-X-P-B			

晨翔电子有限公司
CONNFLY CONNFLY ELECTRONIC CO. LTD

1 2 3 4 5 6 7 8

The information provided herein is from CONNELY Electronic Co., Ltd. and is confidential. Any disclosure to a party other than the recipient is prohibited. The intellectual properties and its rights contained herein, including but not limited to, trademarks, patents, copyrights, trade secrets, and technical know-how, are owned exclusively by CONNELY or its affiliates. Unauthorized use of any part of this document in any format or manner. CONNELY may enforce its intellectual property rights at its own discretion; failures or delays to exercise such rights does not constitute a waiver of such rights.

1 2 3 4 5 6 7 8

REV.	DESCRIPTION	DRAWN	CHECKED	APPROVED
A	NEW RELEASE	YCH 06/12/07'		LJC 06/12/07'
B	DRAWING UPDATE	JLZ 08/27/18'		

N=NUMBER OF CONTACTS

1. PRODUCT NUMBER CODE:

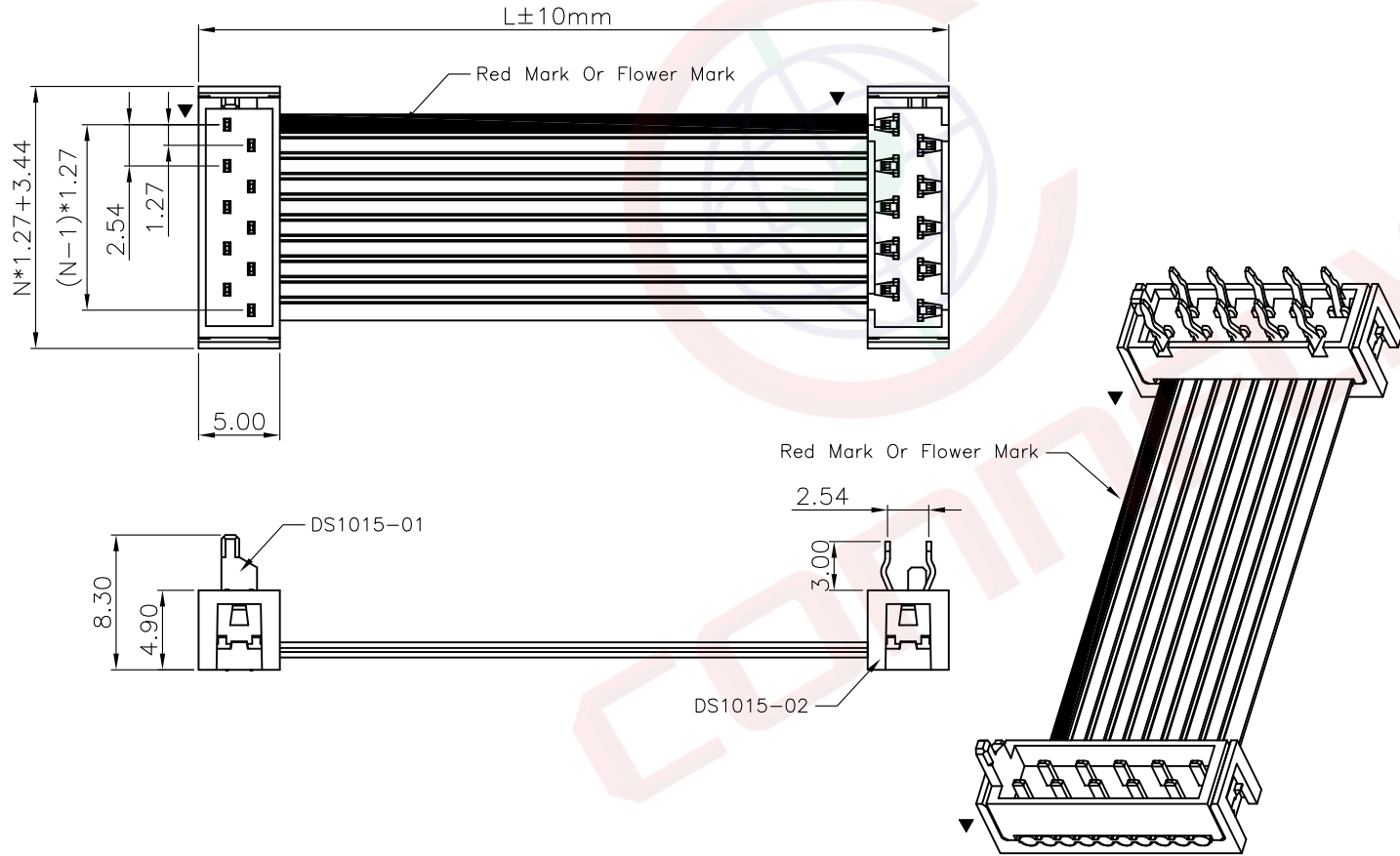
DS1015-03 -XX B X A X - X - X

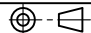

CABLE STYLE
Q: TYPE Q
LENGTH DIM L
0150: L=150mm

WIRE DIAMETER
1:∅0.100 FOLWER MARK
2:∅0.127 RED MARK
3:∅0.100 RED MARK
4:∅0.127 FOLWER MARK

FLAT CABLE COLOR
A: GRAY
CONTACT PLATING
2: GOLD+NICKEL
6: FULL TIN
8: FULL GOLD FLASH

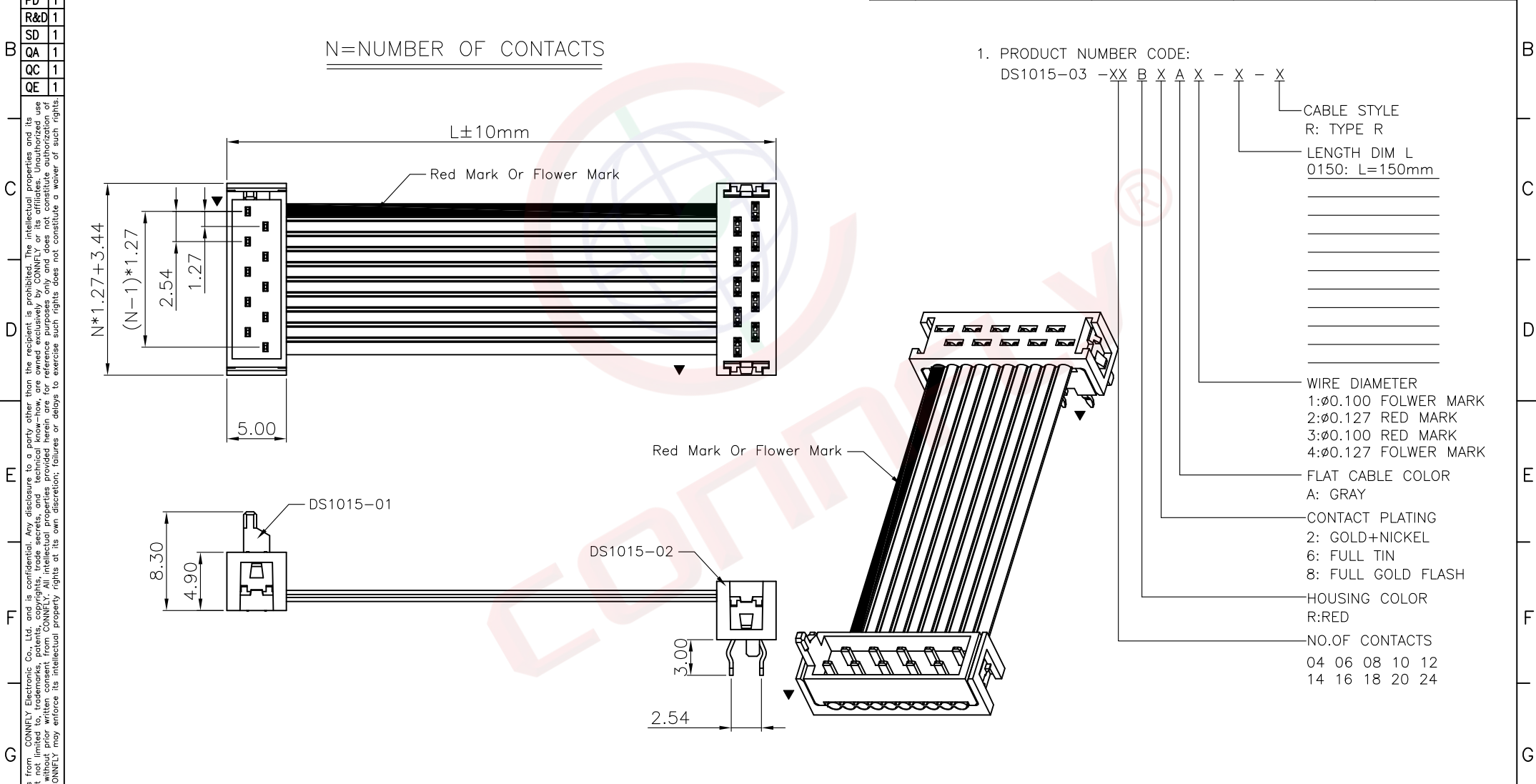
HOUSING COLOR
R:RED
NO.OF CONTACTS
04 06 08 10 12
14 16 18 20 24



GENERAL TOLERANCE		ANGLE TOLERANCE		PROJECTION		TITLE	
X.	±0.60	X.	±5°	UNITS		mm	
.X	±0.38	.X	±3°	SHEET SIZE	A4	SERIES	DS1015-03 SERIES
.XX	±0.25	.XX	±2°	 晨翔电子有限公司 CONNELY CONNELY ELECTRONIC CO. LTD			
DRAWING TYPE		CUSTOMER					
SCALE		1:1	SHEET 1 OF 1				
DRAWING NO.		C-DS1015-03-XXXXX-X-Q-B					

1 2 3 4 5 6 7 8

Dept	Qty	REV.	DESCRIPTION	DRAWN	CHECKED	APPROVED
DC	1	A	NEW RELEASE	YCH 06/12/07'		LJC 06/12/07'
ED	1	B	DRAWING UPDATE	JLZ 08/27/18'		
IE	1					
ISO	1					
PD	1					
R&D	1					
SD	1					
QA	1					
QC	1					
QF	1					



GENERAL TOLERANCE		ANGLE TOLERANCE		PROJECTION		TITLE
X.	±0.60	X.	±5°	UNITS	mm	DS1015-03 (1*DS1015-01&1*DS1015-02)
.X	±0.38	.X	±3°	SHEET SIZE	A4	SERIES DS1015-03 SERIES
.XX	±0.25	.XX	±2°			
DRAWING TYPE		CUSTOMER		晨翔电子有限公司 CONNFLY CONNFLY ELECTRONIC CO. LTD		
SCALE		1:1	SHEET 1 OF 1			
DRAWING NO.		C-DS1015-03-XXXX-X-R-B				

The information provided herein is from CONNELY Electronic Co., Ltd. and is confidential. Any disclosure to a party other than the recipient is prohibited. The intellectual properties and its rights contained herein, including but not limited to, trademarks, patents, copyrights, trade secrets, and technical know-how, are owned exclusively by CONNFLY or its affiliates. Unauthorized use of any part of this drawing, in any format or manner, CONNFLY may enforce its intellectual property rights at its own discretion; failures or delays to exercise such rights does not constitute a waiver of such rights.

The information provided herein is from CONNELY Electronic Co., Ltd. and is confidential. Any disclosure to a party other than the recipient is prohibited. The intellectual properties and its rights contained herein, including but not limited to, trademarks, patents, copyrights, trade secrets, and technical know-how, are owned exclusively by CONNELY or its affiliates. Unauthorized use of the information herein is prohibited. CONNELY may enforce its intellectual property rights at its own discretion; failures or delays to exercise such rights does not constitute a waiver of such rights.

1 2 3 4 5 6 7 8

REV.	DESCRIPTION	DRAWN	CHECKED	APPROVED
A	NEW RELEASE	YCH 06/12/07'		LJC 06/12/07'
B	DRAWING UPDATE	JLZ 08/27/18'		

A Dept
 B Qty
 C DC 1
 D ED 1
 E IE 1
 F ISO 1
 G PD 1
 H R&D 1
 I SD 1
 J QA 1
 K QC 1
 L QF 1

N=NUMBER OF CONTACTS

1. PRODUCT NUMBER CODE:

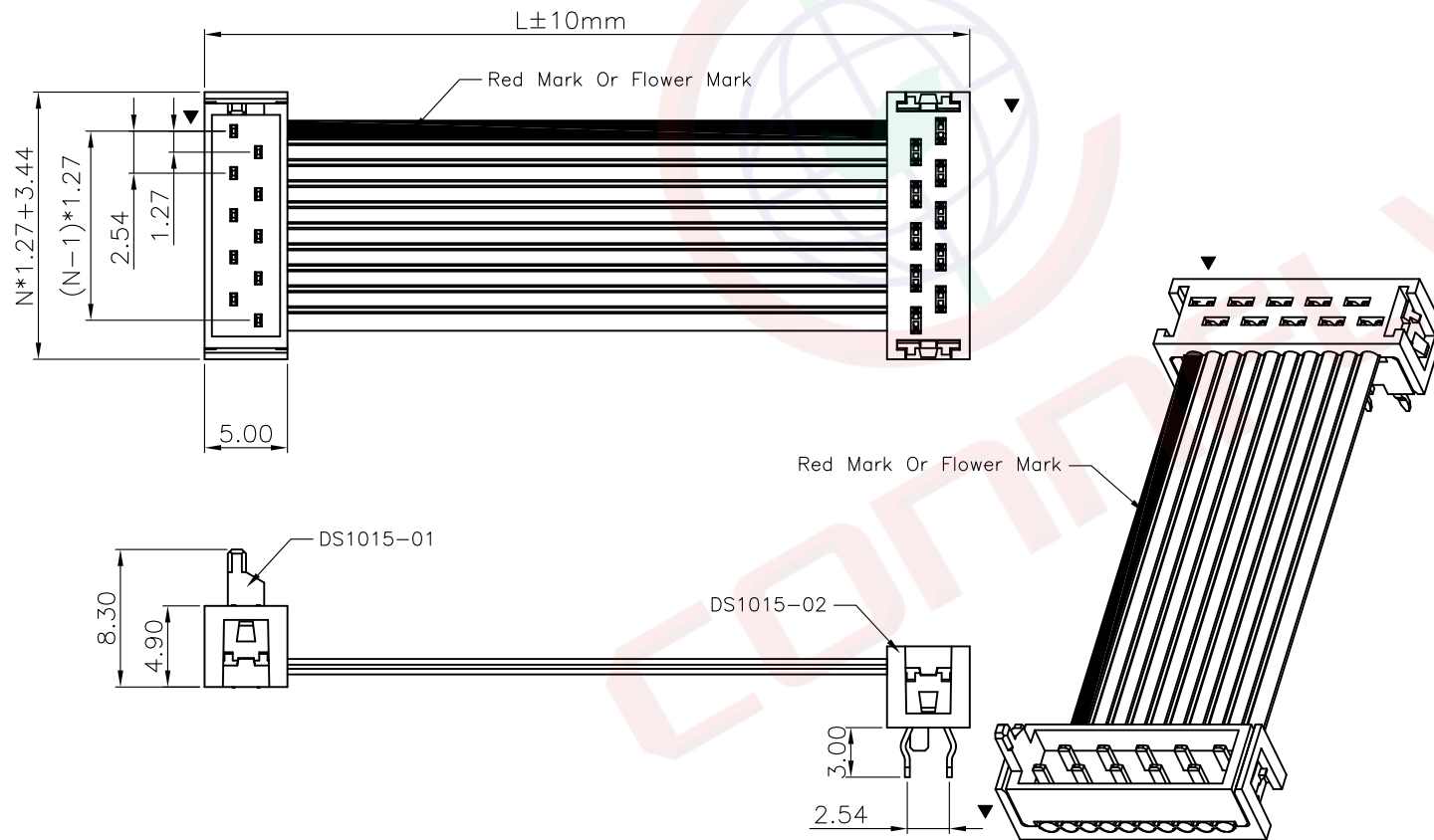
DS1015-03 -XX B X A X - X - X

CABLE STYLE
 S: TYPE S
 LENGTH DIM L
 0150: L=150mm

WIRE DIAMETER
 1:∅0.100 FOLWER MARK
 2:∅0.127 RED MARK
 3:∅0.100 RED MARK
 4:∅0.127 FOLWER MARK

FLAT CABLE COLOR
 A: GRAY
 CONTACT PLATING
 2: GOLD+NICKEL
 6: FULL TIN
 8: FULL GOLD FLASH

HOUSING COLOR
 R:RED
 NO.OF CONTACTS
 04 06 08 10 12
 14 16 18 20 24



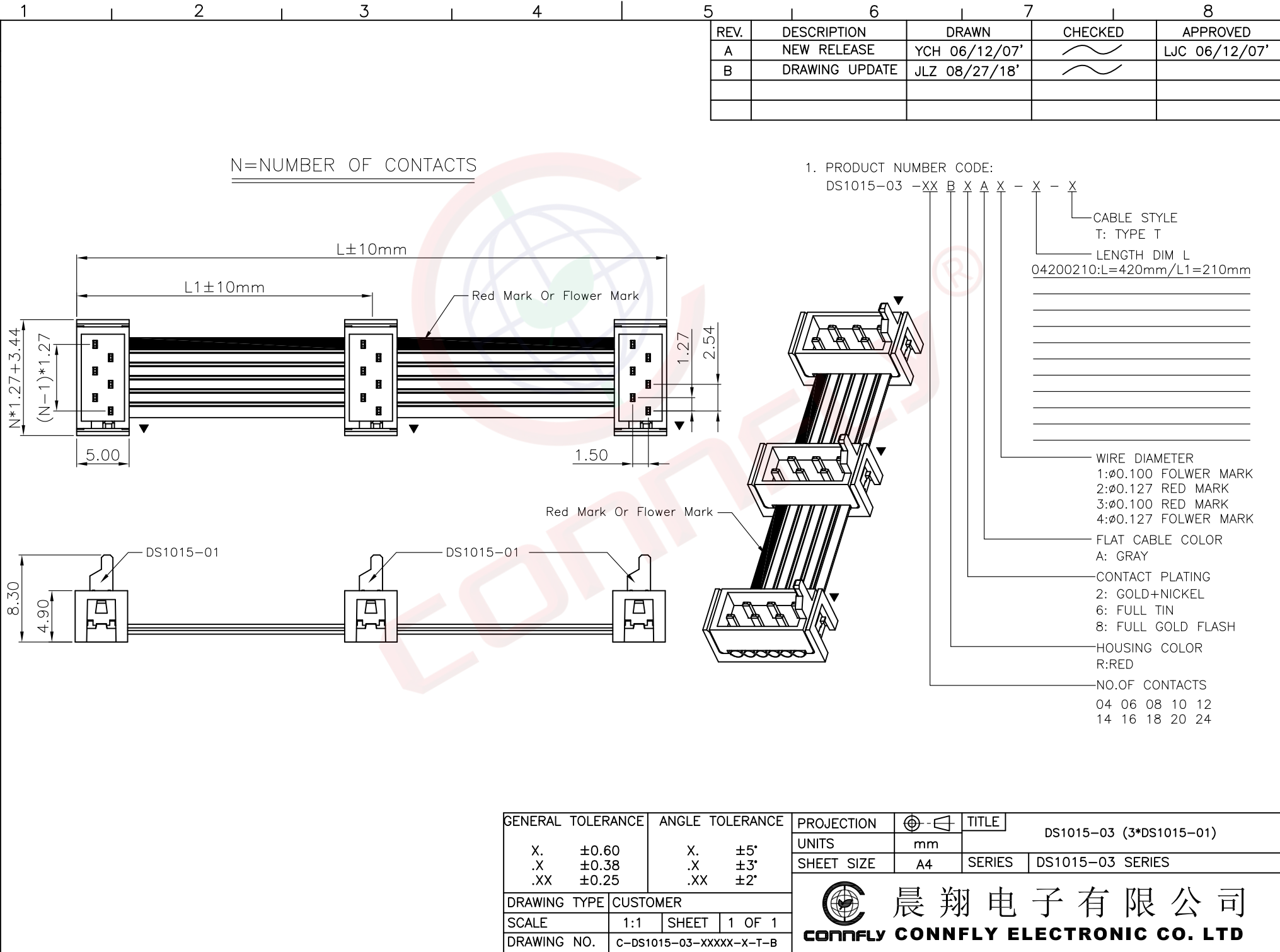
GENERAL TOLERANCE		ANGLE TOLERANCE	
X.	±0.60	X.	±5°
.X	±0.38	.X	±3°
.XX	±0.25	.XX	±2°
DRAWING TYPE	CUSTOMER		
SCALE	1:1	SHEET	1 OF 1
DRAWING NO.	C-DS1015-03-XXXX-X-S-B		

PROJECTION	TITLE
	DS1015-03 (1*DS1015-01&1*DS1015-02)
UNITS	mm
SHEET SIZE	A4
SERIES	DS1015-03 SERIES

晨翔电子有限公司
CONNELY CONNELY ELECTRONIC CO. LTD

1 2 3 4 5 6 7 8

The information provided herein is from CONNELY Electronic Co., Ltd. and is confidential. Any disclosure to a party other than the recipient is prohibited. The intellectual properties and its rights contained herein, including but not limited to, trademarks, patents, copyrights, trade secrets, and technical know-how, are owned exclusively by CONNELY or its affiliates. Unauthorized use of this information in any format or manner, CONNELY may enforce its intellectual property rights at its own discretion; failures or delays to exercise such rights does not constitute a waiver of such rights.



REV.	DESCRIPTION	DRAWN	CHECKED	APPROVED
A	NEW RELEASE	YCH 06/12/07'		LJC 06/12/07'
B	DRAWING UPDATE	JLZ 08/27/18'		

GENERAL TOLERANCE		ANGLE TOLERANCE	
X.	±0.60	X.	±5°
.X	±0.38	.X	±3°
.XX	±0.25	.XX	±2°

PROJECTION	TITLE
	DS1015-03 (3*DS1015-01)
UNITS	mm
SHEET SIZE	A4
SERIES	DS1015-03 SERIES

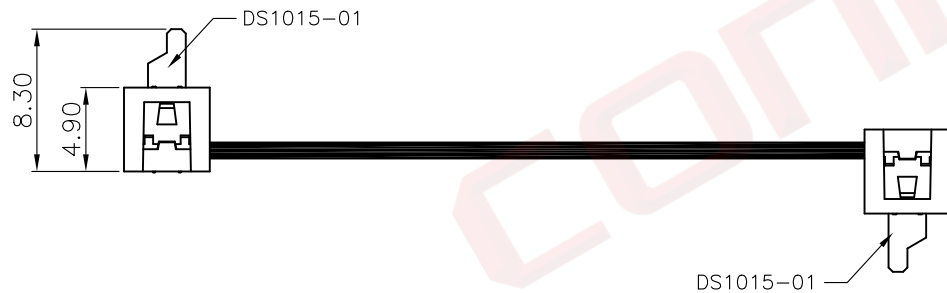
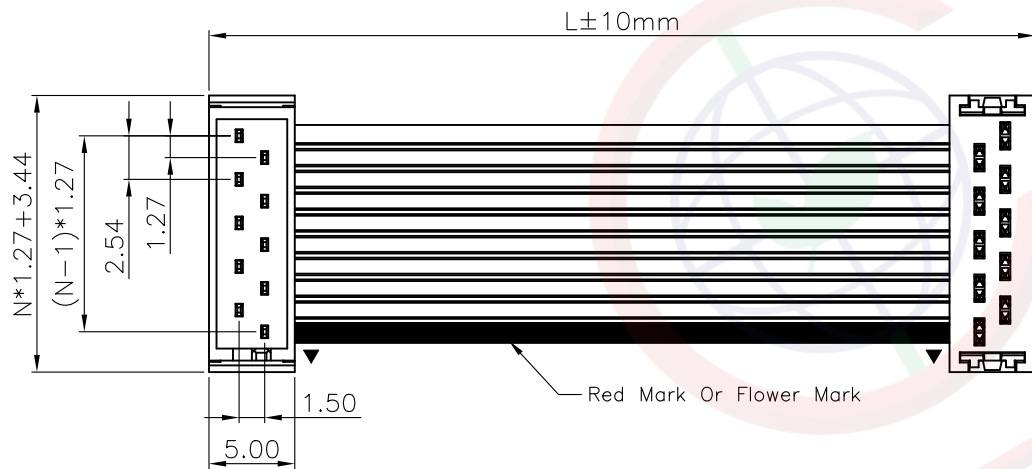
DRAWING TYPE	CUSTOMER
SCALE	1:1 SHEET 1 OF 1
DRAWING NO.	C-DS1015-03-XXXXX-X-T-B

晨翔电子有限公司
CONNFLY CONNELY ELECTRONIC CO. LTD

The information provided herein is from CONNELY Electronic Co., Ltd. and is confidential. Any disclosure to a party other than the recipient is prohibited. The intellectual properties and its rights contained herein, including but not limited to, trademarks, patents, copyrights, trade secrets, and technical know-how, are owned exclusively by CONNELY or its affiliates. Unauthorized use or reproduction of this document is strictly prohibited. CONNELY reserves all rights and may, without notice, modify or discontinue this product or service at any time without liability. CONNELY may enforce its intellectual property rights at its own discretion, failures or delays to exercise such rights does not constitute a waiver of such rights.

REV.	DESCRIPTION	DRAWN	CHECKED	APPROVED
A	NEW RELEASE	YCH 06/12/07'		LJC 06/12/07'
B	DRAWING UPDATE	JLZ 08/27/18'		

N=NUMBER OF CONTACTS



1. PRODUCT NUMBER CODE:

DS1015-03 -XX B X A X - X - X

CABLE STYLE
U: TYPE U

LENGTH DIM L
0090: L=90mm

WIRE DIAMETER
1:∅0.100 FOLWER MARK
2:∅0.127 RED MARK
3:∅0.100 RED MARK
4:∅0.127 FOLWER MARK

FLAT CABLE COLOR
A: GRAY

CONTACT PLATING
2: GOLD+NICKEL
6: FULL TIN
8: FULL GOLD FLASH

HOUSING COLOR
R:RED

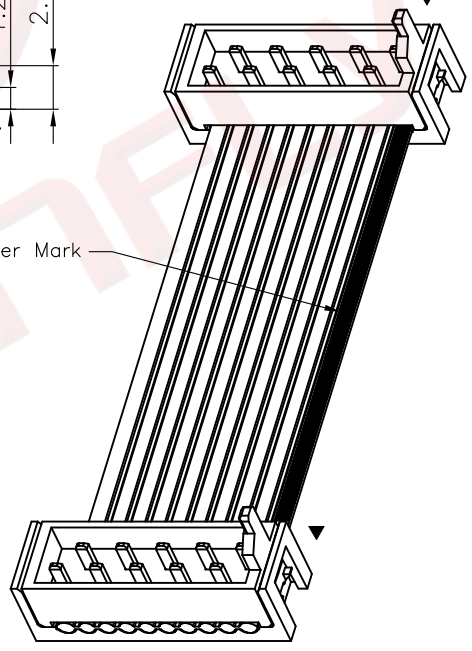
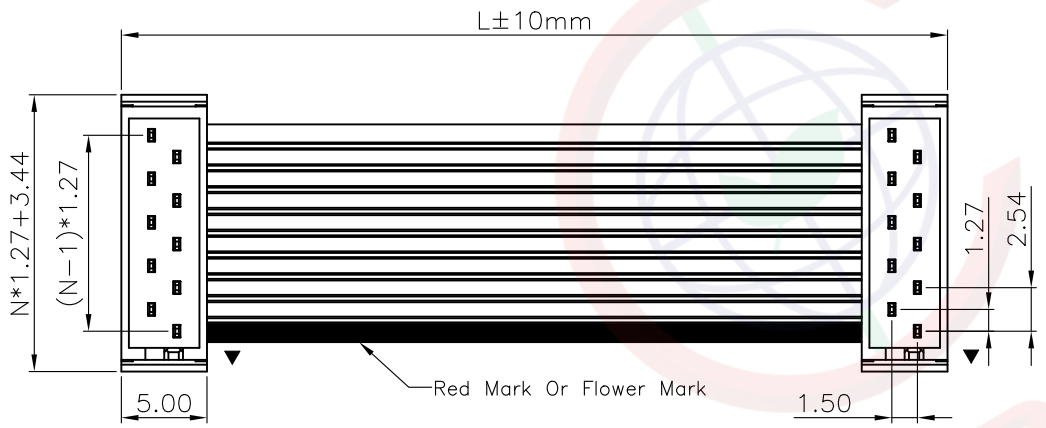
NO.OF CONTACTS
04 06 08 10 12
14 16 18 20 24

GENERAL TOLERANCE		ANGLE TOLERANCE		PROJECTION		TITLE
X.	±0.60	X.	±5°	UNITS	mm	DS1015-03 (2*DS1015-01)
.X	±0.38	.X	±3°	SHEET SIZE	A4	SERIES DS1015-03 SERIES
.XX	±0.25	.XX	±2°	晨翔电子有限公司 CONNFLY CONNELY ELECTRONIC CO. LTD		
DRAWING TYPE	CUSTOMER					
SCALE	1:1	SHEET 1 OF 1				
DRAWING NO.	C-DS1015-03-XXXX-X-U-B					

Dept	Qty
DC	1
ED	1
IE	1
ISO	1
PD	1
R&D	1
SD	1
QA	1
QC	1
QE	1

REV.	DESCRIPTION	DRAWN	CHECKED	APPROVED
A	NEW RELEASE	JLZ 07/05/21'		LJC 06/12/07'

N=NUMBER OF CONTACTS



1. PRODUCT NUMBER CODE:

DS1015-03 -XX B X A X - X - X

- CABLE STYLE
- W: TYPE W
- LENGTH DIM L
 - 0150: L=150mm
 - 0130: L=130mm
 - 0120: L=120mm
 - 0070: L=70mm
 - 0060: L=60mm
 - 1000: L=1000mm
- WIRE DIAMETER
 - 1:φ0.100 FOLWER MARK
 - 2:φ0.127 RED MARK
 - 3:φ0.100 RED MARK
 - 4:φ0.127 FOLWER MARK
- FLAT CABLE COLOR
 - A: GRAY
- CONTACT PLATING
 - 2: GOLD+NICKEL
 - 6: FULL TIN
 - 8: FULL GOLD FLASH
- HOUSING COLOR
 - R:RED
- NO.OF CONTACTS
 - 04 06 08 10 12
 - 14 16 18 20 24

The information provided herein is from CONNELY Electronic Co., Ltd. and is confidential. Any disclosure to a party other than the recipient is prohibited. The intellectual properties and its rights contained herein, including but not limited to, trademarks, patents, copyrights, trade secrets, and technical know-how, are owned exclusively by CONNELY or its affiliates. Unauthorized use or reproduction of this document is strictly prohibited. CONNELY reserves the right to make changes to this document without notice and is not responsible for errors or omissions. CONNELY may enforce its intellectual property rights at its own discretion, failures or delays in exercising such rights does not constitute a waiver of such rights.

GENERAL TOLERANCE		ANGLE TOLERANCE		PROJECTION		TITLE	
X.	±0.60	X.	±5°	UNITS	mm	DS1015-03 (2*DS1015-01)	
.X	±0.38	.X	±3°	SHEET SIZE	A4	SERIES	DS1015-03 SERIES
.XX	±0.25	.XX	±2°	晨翔电子有限公司 CONNELY CONNELY ELECTRONIC CO. LTD			
DRAWING TYPE		CUSTOMER					
SCALE		1:1					
DRAWING NO.		C-DS1015-03-XXXXX-X-W-A					

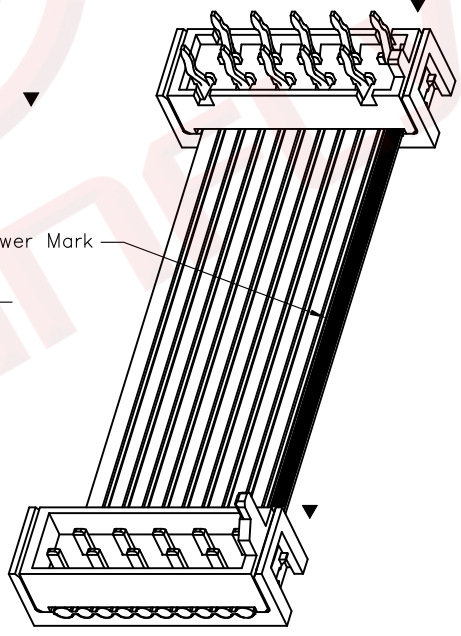
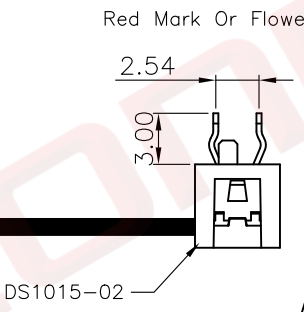
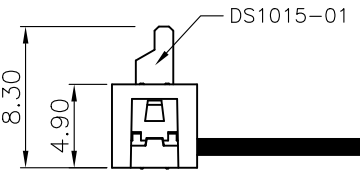
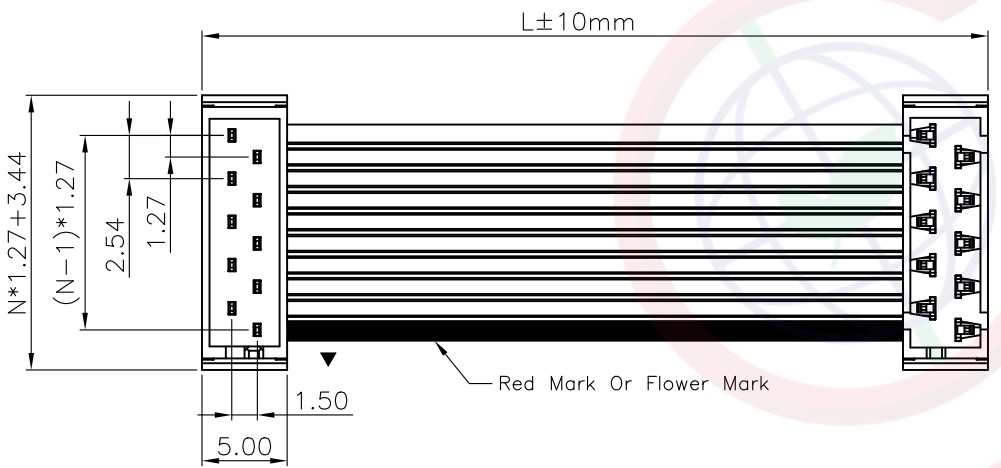
Dept	
Qty	
DC	1
ED	1
IE	1
ISO	1
PD	1
R&D	1
SD	1
QA	1
QC	1
QE	1

REV.	DESCRIPTION	DRAWN	CHECKED	APPROVED
A	NEW RELEASE	JLZ 07/06/21'		

The information provided herein is from CONNELY Electronics Co., Ltd. and is confidential. Any disclosure to a party other than the recipient is prohibited. The intellectual properties and its rights contained herein, including but not limited to, trademarks, patents, copyrights, trade secrets, and technical know-how, are owned exclusively by CONNELY or its affiliates. Unauthorized use or modification is strictly prohibited without prior written consent from CONNELY. All intellectual properties provided herein are for reference purposes only and does not constitute authorization of its use in any format or manner. CONNELY may enforce its intellectual property rights at its own discretion; failures or delays to exercise such rights does not constitute a waiver of such rights.

N=NUMBER OF CONTACTS

1. PRODUCT NUMBER CODE:
DS1015-03 -XX B X A X - X - X



- CABLE STYLE
- Y: TYPE Y
- LENGTH DIM L
- 0150: L=150mm
- _____
- _____
- _____
- _____
- _____
- _____
- _____
- WIRE DIAMETER
- 1:∅0.100 FOLWER MARK
- 2:∅0.127 RED MARK
- 3:∅0.100 RED MARK
- 4:∅0.127 FOLWER MARK
- FLAT CABLE COLOR
- A: GRAY
- CONTACT PLATING
- 2: GOLD+NICKEL
- 6: FULL TIN
- 8: FULL GOLD FLASH
- HOUSING COLOR
- R:RED
- NO.OF CONTACTS
- 04 06 08 10 12
- 14 16 18 20 24

GENERAL TOLERANCE	ANGLE TOLERANCE	PROJECTION	TITLE
X. ±0.60	X. ±5°		DS1015-03 (1*DS1015-01&1*DS1015-02)
.X ±0.38	.X ±3°	UNITS	mm
.XX ±0.25	.XX ±2°	SHEET SIZE	A4
DRAWING TYPE	CUSTOMER	SERIES	DS1015-03 SERIES
SCALE	1:1	SHEET	1 OF 1
DRAWING NO.	C-DS1015-03-XXXXX-X-X-A	晨翔电子有限公司 CONNFLY CONNFLY ELECTRONIC CO. LTD	