

The information provided herein is from CONNFLY Electronic Co., Ltd. and is confidential. Any disclosure to a party other than the recipient is prohibited. The intellectual properties and its rights contained herein, including but not limited to, trademarks, patents, copyrights, trade secrets, and technical know-how, are owned exclusively by CONNFLY or its affiliates. Unauthorized use or reproduction of this information for any purpose without the prior written consent of CONNFLY is strictly prohibited. CONNFLY may enforce its intellectual property rights at its own discretion, failures or delays to exercise such rights does not constitute a waiver of such rights.

REV.	DESCRIPTION	DRAWN	CHECKED	APPROVED
A	NEW RELEASE	HP 07/09/05'		LJC 07/09/05'
B	DRAWING UPDATE	JLZ 07/24/18'		

Technical data

- Material
 - . Pin(Outer Sleeve): Brass,Machined,CuZn38Pb2
 - . Clip(Contact 4/6 Finger): Copper alloy,Heat Treated
- Electrical
 - . Current Rating: 3A max.
 - . Contact Resistance: 20mΩ max.
- Mechanical
 - . *Average Insertion Force With Steel Pin of Ø0.43mm/0.017":
4-Finger 270g max,6-Finger 120g max
 - . *Average Withdrawal Force With Steel Pin of Ø0.50mm/0.020":
4-Finger 25g min,6-Finger 15g min.
 - . *Mechanical Life: min 200 Cycles

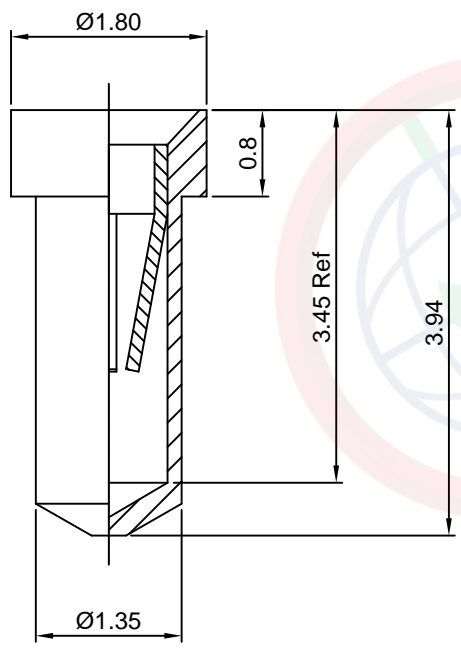
4. Product number code:

DS1005-01 - X X X

- Clip plated
- 6: Full Tin
- 8: Full Gold flash
- C: Full Gold 3u"
- A: Full Gold 10u"
- B: Full Gold 15u"

- Pin plated
- 6: Full Tin
- 8: Full Gold flash
- C: Full Gold 3u"
- A: Full Gold 10u"
- B: Full Gold 15u"

- Clips
- 4: 4 Finger
- 6: 6 Finger



(Series Image-Reference Only)

GENERAL TOLERANCE		ANGLE TOLERANCE		PROJECTION		TITLE
X.	±0.60	X.	±5°	UNITS	mm	SOCKET TERMINALS 3.94mm
.X	±0.38	.X	±3°	SHEET SIZE	A4	SERIES DS1005-01 SERIES
.XX	±0.25	.XX	±2°			
DRAWING TYPE		CUSTOMER		晨翔电子有限公司 CONNFLY CONNFLY ELECTRONIC CO. LTD		
SCALE		1:1				
DRAWING NO.		C-DS1005-01-XXXXX-B				