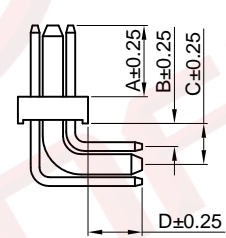
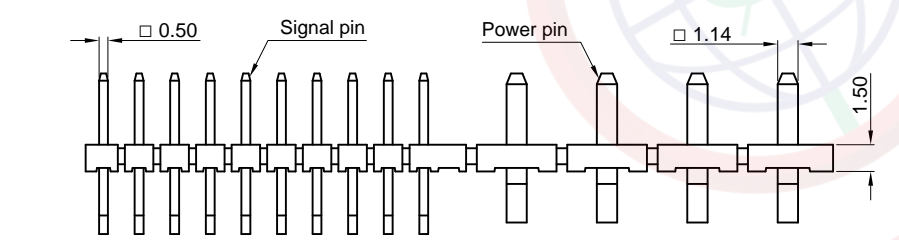
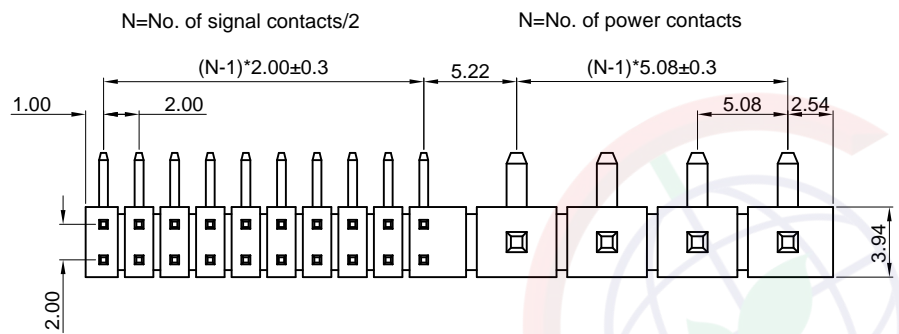


The information provided herein is from CONNELY Electronic Co., Ltd. and is confidential. Any disclosure to a party other than the recipient is prohibited. The intellectual properties and its rights contained herein, including but not limited to, trademarks, patents, copyrights, trade secrets, and technical know-how, are owned exclusively by CONNELY or its affiliates. Unauthorized use or reproduction of any part of this document is strictly prohibited. CONNELY may enforce its intellectual property rights at its own discretion, failures or delays to exercise such rights does not constitute a waiver of such rights.

REV.	DESCRIPTION	DRAWN	CHECKED	APPROVED
A	NEW RELEASE	YCH 05/08/12'		LJC 05/08/12'
B	DRAWING UPDATE	JLZ 12/22/18'		



**NOTES:**

**Specifications:**

- Contact resistance: 20mΩ Max.
- Insulation resistance: 1000MΩ Min.
- Dielectric withstanding voltage: 1000V AC(Rms) for 1 minute.
- Current rating:2A.
- Voltage rating:250V AC Rms.
- Temperature: -40°C~+105°C.

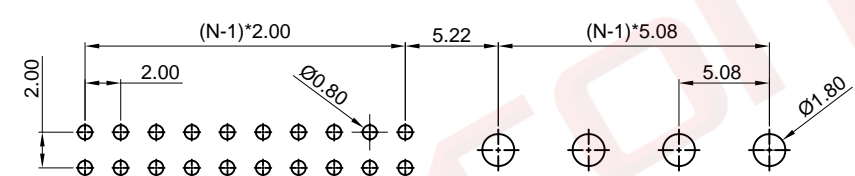
**Materials:**

- Contact material: Copper alloy.
- Contact plating: Gold plating over nickel.
- Insulator material: High temp,Black,UL94-V0.

**Product number code:**

DS1022-18- X - X X X X - X

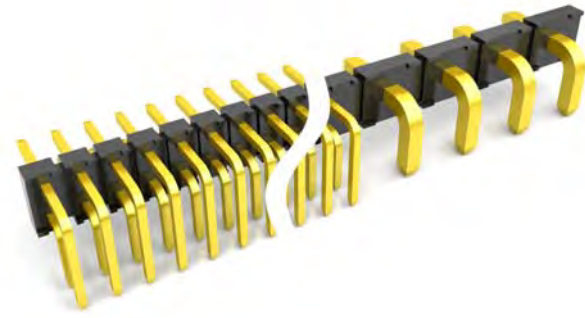
- Plating level(For gold flash)  
B: Level B  
3A: Level 3A
- Table A & DIM. type  
1: Type 1  
2: Type 2  
or A\*.\*-B\*.\*-C\*.\*-D\*.\*
- Contact plating  
F1: Full gold flash  
6: Tin
- Mounting type  
R: R/A type
- No. of power contacts  
1x1~1x4
- No. of signal contacts  
2x1~2x39



Recommend PCB layout  
(Tolerance:±0.05)

TABLE A:

TYPE	Dimension			
	A	B	C	D
1	4.00	1.27	2.30	3.04
2				



(Series Image-Reference Only)

GENERAL TOLERANCE		ANGLE TOLERANCE		PROJECTION		TITLE	5.08mm PIN HEADER COMBINATION 2.00mm PIN HEADER R/A TYPE	
X.	±0.60	X.	±5°	UNITS	mm	SHEET	DS1022-18 SERIES	
.X	±0.38	.X	±3°	SHEET SIZE	A4	SERIES	DS1022-18 SERIES	
.XX	±0.25	.XX	±2°			<b>晨翔电子有限公司</b> CONNELY ELECTRONIC CO. LTD		
DRAWING TYPE		CUSTOMER						
SCALE		1:1		SHEET 1 OF 1				
DRAWING NO.		C-DS1022-18-X-XXXX-X-B						