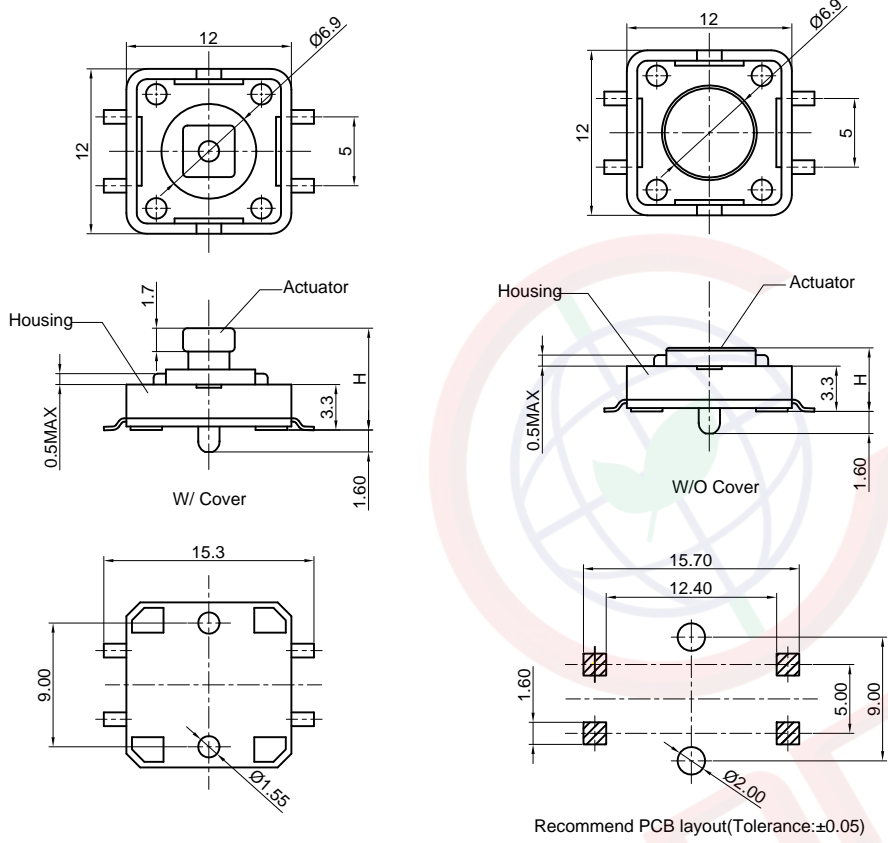


Dept	
Qty	
DC	1
ED	1
IE	1
ISO	1
PD	1
R&D	1
SD	1
QA	1
QC	1
QE	1

The information provided herein is from CONNELY Electronic Co., Ltd. and is confidential. Any disclosure to a party other than the recipient is prohibited. The intellectual properties and its rights contained herein, including but not limited to, trademarks, patents, copyrights, trade secrets, and technical know-how, are owned exclusively by CONNELY or its affiliates. Unauthorized use or reproduction of any part of this document is strictly prohibited. CONNELY may enforce its intellectual property rights at its own discretion, failures or delays to exercise such rights does not constitute a waiver of such rights. Its use in any format or manner. CONNELY may enforce its intellectual property rights at its own discretion, failures or delays to exercise such rights does not constitute a waiver of such rights.



(Series Image-Reference Only)

REV.	DESCRIPTION	DRAWN	CHECKED	APPROVED
A	NEW RELEASE	LL 06/16/06		LJC 06/16/06
B	Arrangement drawing	JLZ 07/23/15'	HZW 07/23/15'	LJC 07/23/15'
C	Drawing Update	JLZ 04/28/19'		

NOTES:

- Specifications
 - switch function: Single pole Single throw
 - contact rating: 50mA at 12Vdc
 - insulation resistance: 100MΩ min at 500Vdc
 - contact resistance: 100mΩ max
 - operating life: 100,00 cycles
 - stop strength: place the switch such that vertical, a static load of 3kgf shall be applied in the direction of stem, operation for a period of 15 secs.
 - stroke: (12x12)0.35±0.1mm
 - operation temperature range: -20°C to 70°C
 - storage temperature range: -20°C to +70°C
 - wave soldering: recommended solder temperature at 500°F(260°C)max. 5 seconds, subject to PCB 1.6mm thickness.
 - hand soldering: use a soldering iron of 30 watts, controlled at 608°F(320°C) approximately 2 seconds while applying solder.
- Product number code:

DS1042 - 01 - X X X X X X X X

- Operating Life
 - 5: 50000 cycles
 - 10: 100000 cycles
 - 20: 200000 cycles
- Operating Force
 - 130: 130gf 160: 160gf
 - 170: 170gf 250: 250gf
- Cover Type
 - X: W/O Cover
 - S: W/ Cover (For H=7.3mm only)
- Packing Type
 - A: Polybag
 - B: Tube
 - R: Tape on Reel
- Actuator Color
 - U: Blue K: Black N: Brown R: Red
 - S: Salmon Y: Yellow
- Housing Color
 - U: Blue K: Black N: Brown R: Red
 - S: Salmon Y: Yellow
- Profile Height(DIM.H, H>7.3 The cover is cylindrical, Black)
 - 1: 4.3mm 2: 5.0mm 3: 7.0mm 4: 7.3mm 5: 9.5mm 6: 13.0mm
 - 7: 7.5mm 8: 8.0mm 9: 8.5mm 10: 12.0mm 11: 12.5mm
 - 12: 17.0mm 13: 7.8mm 14: 9.0mm 15: 10.0mm 16: 11.0mm
- Size
 - 2: 12mmX12mm

GENERAL TOLERANCE		ANGLE TOLERANCE		PROJECTION		TITLE	
X.	±0.60	X.	±5°	UNITS	mm	Tact Switch SMT Type	
.X	±0.38	.X	±3°	SHEET SIZE	A4	SERIES	DS1042-01 SERIES
.XX	±0.25	.XX	±2°	晨翔电子有限公司 CONNELY CONNELY ELECTRONIC CO. LTD			
DRAWING TYPE		CUSTOMER					
SCALE	1:1	SHEET	1 OF 1				
DRAWING NO.		C-DS1042-01-XXXXXXX-C					