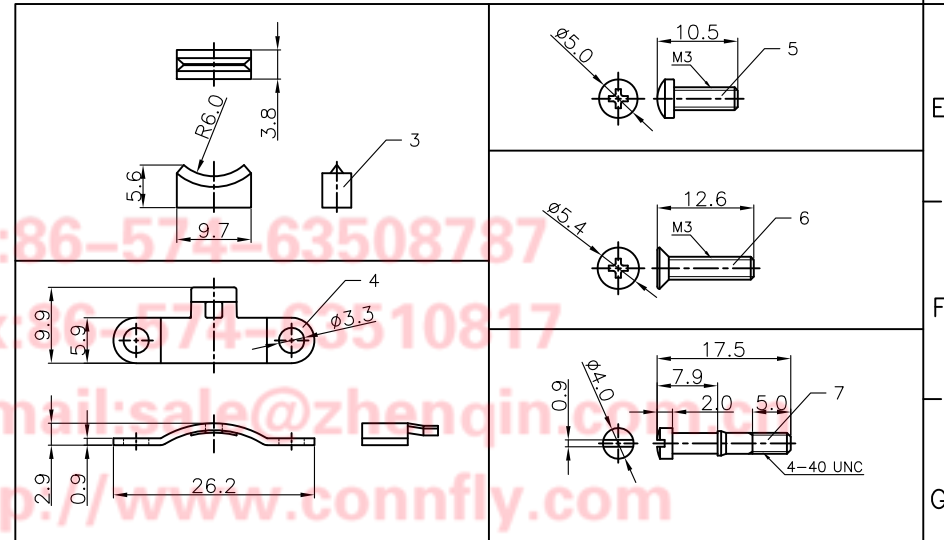


REV.	DESCRIPTION	DRAWN	CHECKED	APPROVED
A	NEW RELEASE	YCH 12/21/09'	~	

NOTES:  
1. PART NUMBER CODE:  
DS1056 - 15 X X

Packing type  
1: Mix packing  
2: Separation packing  
Cover Material  
N: Nickel plating  
Position  
15: 15pin

BOM LIST			
ITEM	PART NAME	Q'ty	NOTES
1	PLASTIC HOOD-1	1	ABS
2	PLASTIC HOOD-2	1	ABS
3	PLASTIC WASHER	1	ABS
4	METAL WASHER	1	
5	SHORT SCREW	2	M3
6	LONG SCREW	2	M3
7	BOLT	2	UNC #4-40



GENERAL TOLERANCE		ANGLE TOLERANCE		PROJECTION		TITLE	
X.	±0.60	X.	±5°			D-SUB 15pin Hood Ninkel plated	
.X	±0.38	.X	±3°	mm		Add: East Industry Zone Kuaqiang Yan	
.XX	±0.25	.XX	±2°	SHEET SIZE		A4 SERIES DS1056 SERIES	
DRAWING TYPE		COSTOMER		晨翔电子有限公司 <b>CONNFLY CONNFLY ELECTRONIC CO. LTD</b>			
SCALE		1:1					
DRAWING NO.		C-DS1056-15XX					

Tel: 86-574-63508787  
 Fax: 86-574-63510817  
 E-mail: sale@zhengqin.com  
 Http://www.connfly.com