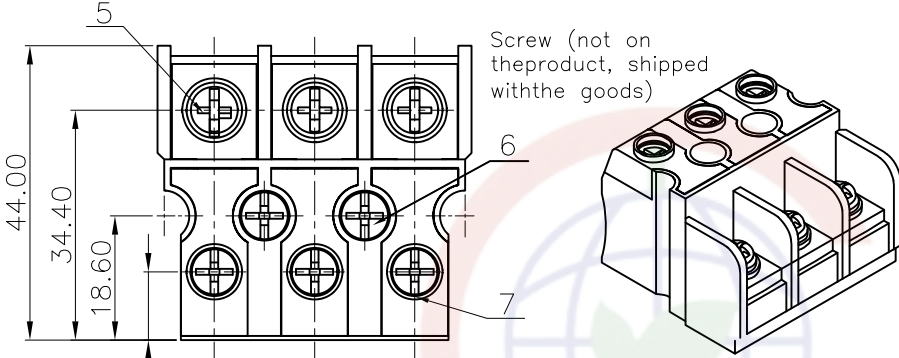


The information provided herein is from CONNELY Electronic Co., Ltd. and is confidential. Any disclosure to a party other than the recipient is prohibited. The intellectual properties and its rights contained herein, including but not limited to, trademarks, patents, copyrights, trade secrets, and technical know-how, are owned exclusively by CONNELY or its affiliates. Unauthorized use of this information in any format or manner. CONNELY may enforce its intellectual property rights at its own discretion; failures or delays to exercise such rights does not constitute a waiver of such rights.

1 2 3 4 5 6 7 8

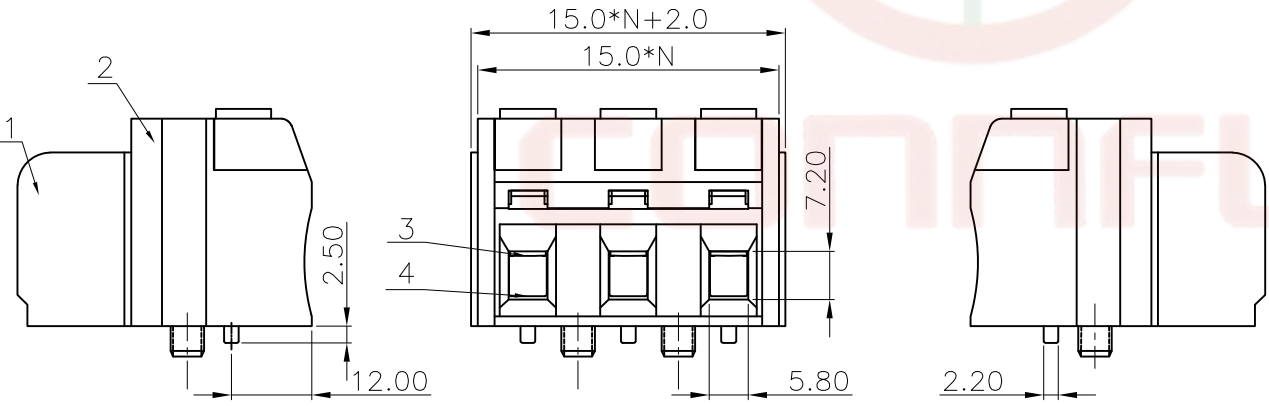
REV.	DESCRIPTION	DRAWN	CHECKED	APPROVED
A	NEW RELEASE	WPY 10/29/25'		



- Notes:
 Technical Requirements:
 1. The shell should have no obvious shrinkage or other adverse phenomena
 2. M5 screw torque: 16 lbf. in
 3. Rated parameters: 600V 85A
 4. Power frequency withstand voltage: AC3000V for 1 minute
 5. Wiring range: 20~4AWG
 6. Working temperature: -40 °C+105 °C
 7. Insulation impedance: DC500V 500MQ

Product Number Code:
 DS1214-02 - X X X X

- X — Contat Plating:
 N: Full Nickel
- X — Compatible cable/Copper busbar:
 1: M6
- X — Housing Color:
 B: Black
- X — No. of contacts:
 2: 2Pin 3: 3Pin
 4: 4Pin 5: 5Pin 6: 6Pin



7	M5 Screw	STEEL	Nickel plated
6	M5 Screw	STEEL	Nickel plated
5	M5 Screw	STEEL	Zn plating
4	Cage	Copper alloy	Nickel plated
3	Current Board	Copper alloy	Nickel plated
2	Cover	PA66	UL94V-0
1	Housing	PA66	UL94V-0
ITEM	NAME	MATERIAL	NOTES

GENERAL TOLERANCE		ANGLE TOLERANCE	
X.	±0.60	X.	±5°
.X	±0.38	.X	±3°
.XX	±0.25	.XX	±2°

PROJECTION	TITLE
	Photovoltaic inverter terminal block (Current: 85A)
UNITS	mm
SHEET SIZE	A4
SERIES	DS1214-02 SERIES

DRAWING TYPE	CUSTOMER
SCALE	1:1 SHEET 1 OF 1
DRAWING NO.	C-DS1214-02-XXXX-A

晨翔电子有限公司
CONNELY CONNELY ELECTRONIC CO. LTD

1 2 3 4 5 6 7 8