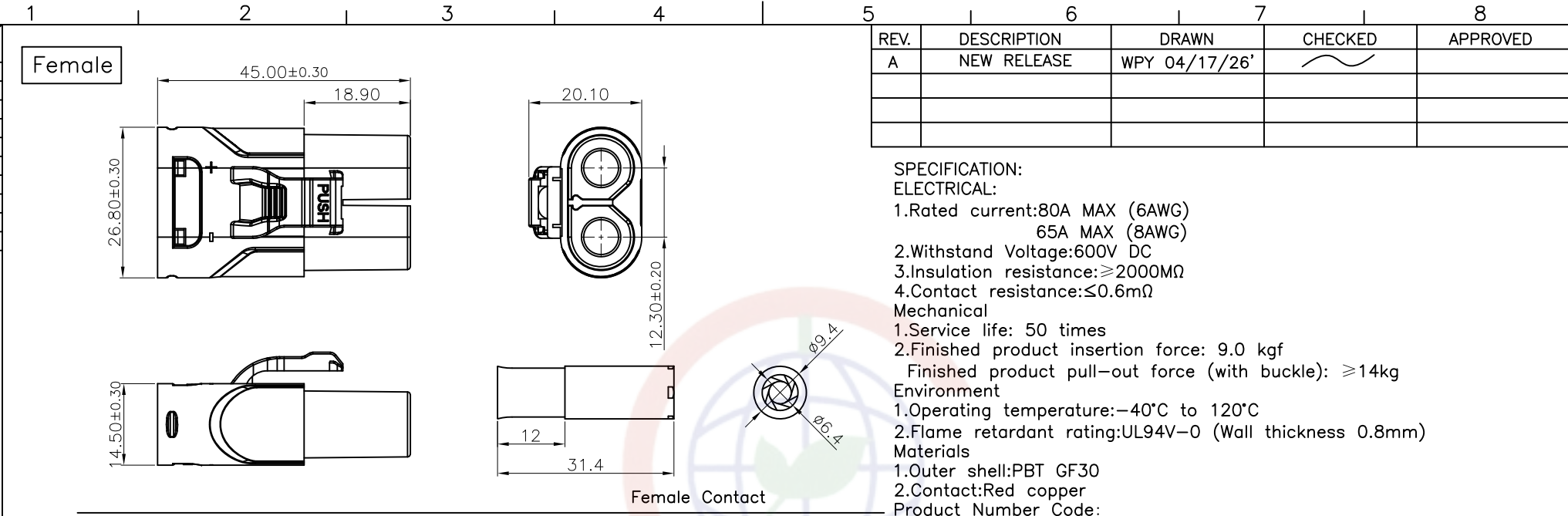


Dept
Qty
DC 1
ED 1
IE 1
ISO 1
PD 1
R&D 1
SD 1
QA 1
QC 1
QE 1

The information provided herein is from CONNELY Electronic Co., Ltd. and is confidential. Any disclosure to a party other than the recipient is prohibited. The intellectual properties and its rights contained herein, including but not limited to, trademarks, patents, copyrights, trade secrets, and technical know-how, are owned exclusively by CONNELY or its affiliates. Unauthorized use or reproduction of this document in any format or manner. CONNELY may enforce its intellectual property rights at its own discretion; failures or delays to exercise such rights does not constitute a waiver of such rights.



REV.	DESCRIPTION	DRAWN	CHECKED	APPROVED
A	NEW RELEASE	WPY 04/17/26'		

SPECIFICATION:
ELECTRICAL:
 1. Rated current: 80A MAX (6AWG)
 65A MAX (8AWG)
 2. Withstand Voltage: 600V DC
 3. Insulation resistance: $\geq 2000\text{M}\Omega$
 4. Contact resistance: $\leq 0.6\text{m}\Omega$
Mechanical
 1. Service life: 50 times
 2. Finished product insertion force: 9.0 kgf
 Finished product pull-out force (with buckle): $\geq 14\text{kg}$
Environment
 1. Operating temperature: -40°C to 120°C
 2. Flame retardant rating: UL94V-0 (Wall thickness 0.8mm)
Materials
 1. Outer shell: PBT GF30
 2. Contact: Red copper
Product Number Code:
 DS1237-01- X X X X X

- Packing Type:
P: Ploybag
- Housing color:
E: Orange
- Contact plating:
Y: Full Silver
- Mounting type:
C: Locking type
- Connector type:
F: Female M: Male
A: Female+Male



(Series Image-Reference Only)

GENERAL TOLERANCE		ANGLE TOLERANCE	
X.	± 0.60	X.	$\pm 5^{\circ}$
.X	± 0.38	.X	$\pm 3^{\circ}$
.XX	± 0.25	.XX	$\pm 2^{\circ}$
DRAWING TYPE		CUSTOMER	
SCALE		1:1	SHEET 1 OF 1
DRAWING NO.		C-DS1237-01-XXXXX-A	

PROJECTION	TITLE
	Lithium battery DC plug 65/80A
UNITS	mm
SHEET SIZE	A4
SERIES	DS1237-01 SERIES

晨翔电子有限公司
CONNFLY CONNELY ELECTRONIC CO. LTD