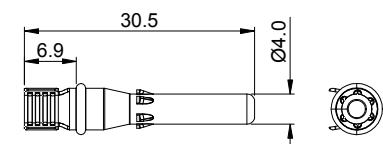
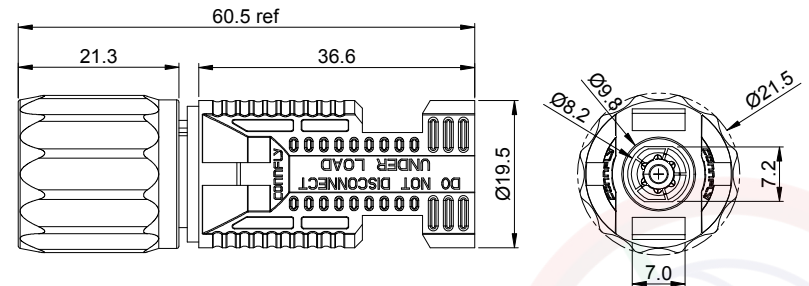


Dept
Qty
DC 1
ED 1
IE 1
ISO 1
PD 1
R&D 1
SD 1
QA 1
QC 1
QE 1

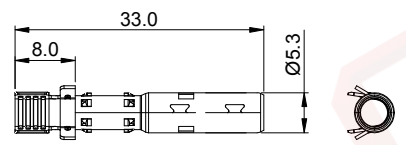
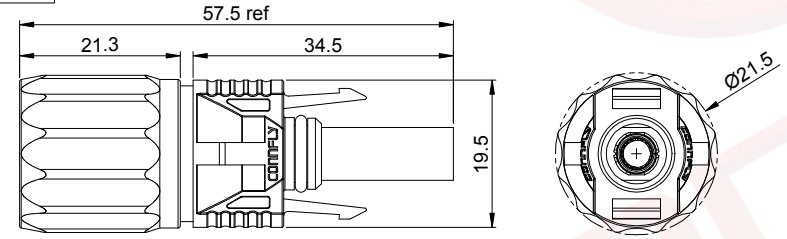
The information provided herein is from CONNELY Electronic Co., Ltd. and is confidential. Any disclosure to a party other than the recipient is prohibited. The intellectual properties and its rights contained herein, including but not limited to, trademarks, patents, copyrights, trade secrets, and technical know-how, are owned exclusively by CONNELY or its affiliates. Unauthorized use, reproduction, or distribution of this information is strictly prohibited. CONNELY reserves the right to modify its products and specifications without notice. CONNELY may enforce its intellectual property rights at its own discretion, failures or delays to exercise such rights does not constitute a waiver of such rights.

Male



Male Contact

Female



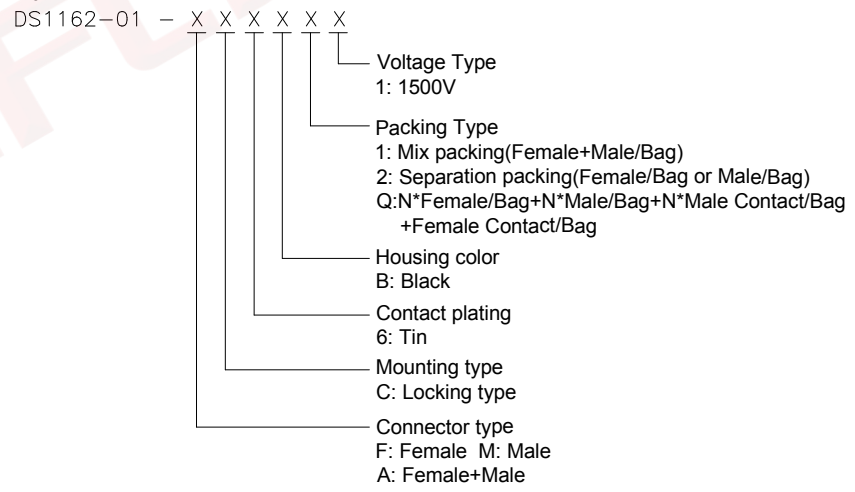
Female Contact



(Series Image-Reference Only)

REV.	DESCRIPTION	DRAWN	CHECKED	APPROVED
A	NEW RELEASE	JLZ 05/06/22'		

- Notes:
- Specifications:
- Contact Resistance: 0.5mΩ Max.
 - Insulation Resistance: 1000MΩ Min.
 - Dielectric Withstanding Voltage: 8000V AC(rms) For 1 Minute.
 - Current Rating: 30A.
 - Voltage Rating: 1500V DC rms.
 - Temperature: -40°C~+85°C.
 - Cable size: 2.5~6mm².
 - Waterproof rated: IP67.
- Materials:
- Insulating material: Thermoplastic, UL 94 V-0.
 - Contact: Red Copper, Tin plated.
 - Fingers: Beryllium Copper, Tin Plated.
 - Clip: Stainless Steel.
 - Sealing: Silicone rubber, Black.
- Product Number Code:

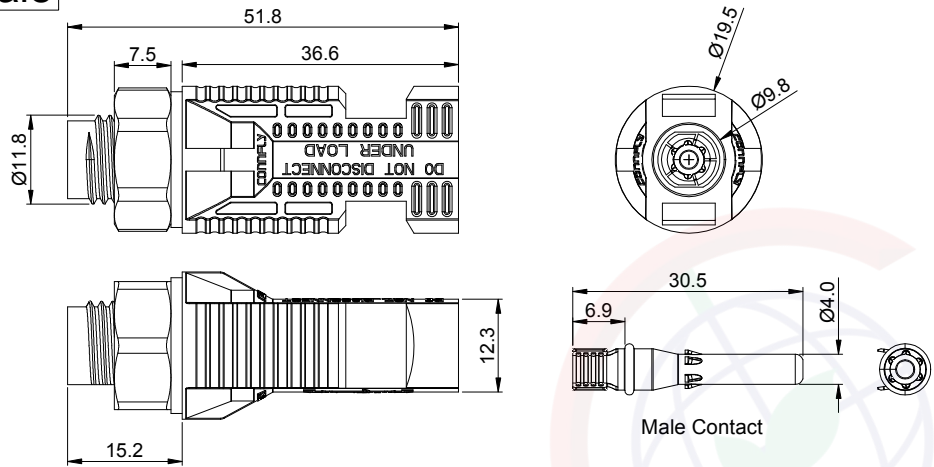


GENERAL TOLERANCE		ANGLE TOLERANCE		PROJECTION		TITLE	Solar Connectors Wire to Wire W/ Lock Type (1500V)
X.	±0.60	X.	±5°	UNITS	mm	SHEET SIZE	A4
.X	±0.38	.X	±3°			SERIES	DS1162-01 SERIES
.XX	±0.25	.XX	±2°				
DRAWING TYPE		CUSTOMER		晨翔电子有限公司 CONNFLY CONNELY ELECTRONIC CO. LTD			
SCALE		1:1					
DRAWING NO.		C-DS1162-01-XXXXX-A					

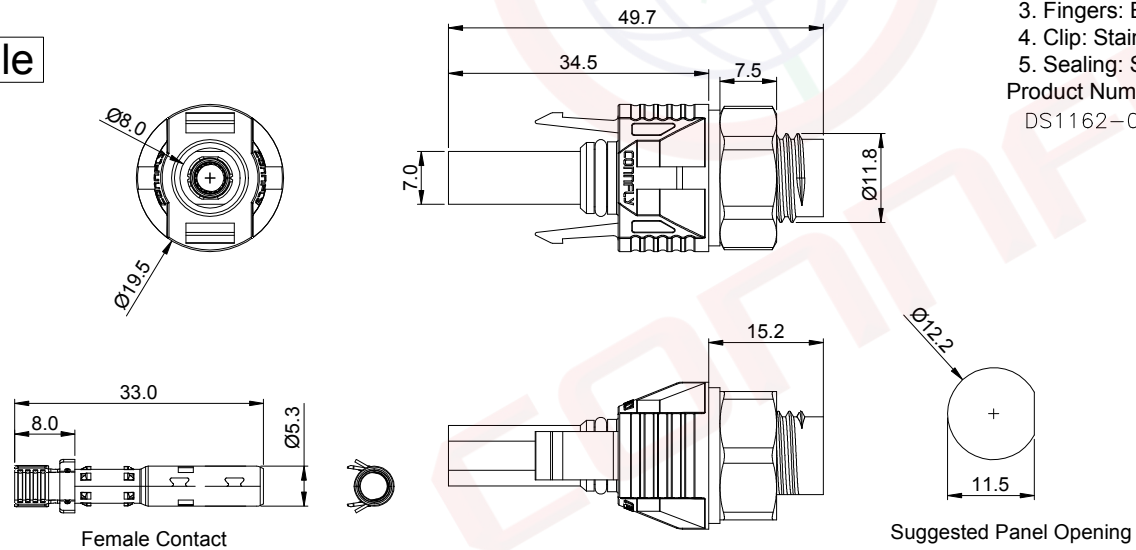
Dept
Qty
DC 1
ED 1
IE 1
ISO 1
PD 1
R&D 1
SD 1
QA 1
QC 1
QE 1

The information provided herein is from CONNELY Electronic Co., Ltd. and is confidential. Any disclosure to a party other than the recipient is prohibited. The intellectual properties and its rights contained herein, including but not limited to, trademarks, patents, copyrights, trade secrets, and technical know-how, are owned exclusively by CONNELY or its affiliates. Unauthorized use, reproduction, copying, or distribution of this information without the prior written permission of CONNELY is strictly prohibited. CONNELY reserves the right to make changes to this information at any time without notice. CONNELY may enforce its intellectual property rights at its own discretion, failures or delays to exercise such rights does not constitute a waiver of such rights.

Male



Female



(Series Image-Reference Only)

REV.	DESCRIPTION	DRAWN	CHECKED	APPROVED
A	NEW RELEASE	JLZ 05/06/22'		

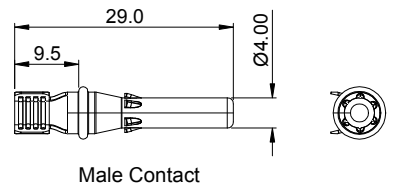
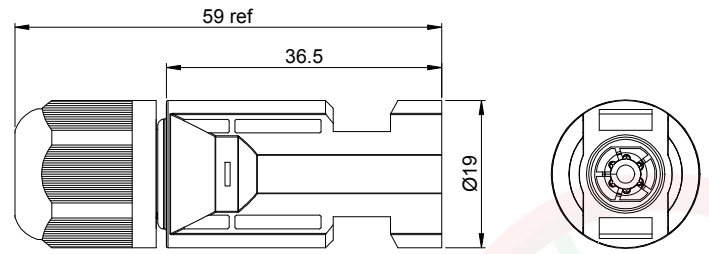
- Notes:
- Specifications:
- Contact Resistance: 0.5mΩ Max.
 - Insulation Resistance: 1000MΩ Min.
 - Dielectric Withstanding Voltage: 8000V AC(rms) For 1 Minute.
 - Current Rating: 30A.
 - Voltage Rating: 1500V DC rms.
 - Temperature: -40°C~+85°C.
 - Cable size: 2.5~6mm².
 - Waterproof rated: IP67.

- Materials:
- Insulating material: Thermoplastic, UL 94 V-0.
 - Contact: Red Copper, Tin plated.
 - Fingers: Beryllium Copper, Tin Plated.
 - Clip: Stainless Steel.
 - Sealing: Silicone rubber, Black.
- Product Number Code:
- DS1162-01 - X X X X X X
- Voltage Type
1: 1500V
 - Packing Type
1: Mix packing(Female+Male/Bag)
2: Separation packing(Female/Bag or Male/Bag)
Q:N*Female/Bag+N*Male/Bag+N*Male Contact/Bag +Female Contact/Bag
 - Housing color
B: Black
 - Contact plating
6: Tin
 - Mounting type
V: Panel type
 - Connector type
F: Female M: Male
A: Female+Male

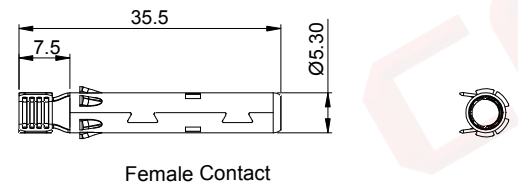
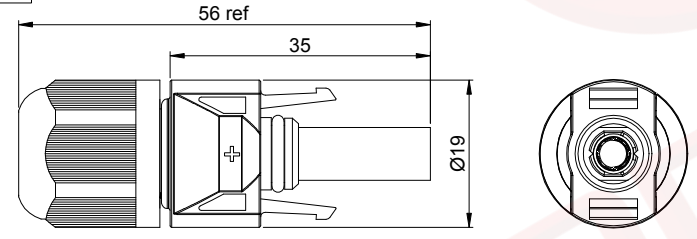
GENERAL TOLERANCE		ANGLE TOLERANCE		PROJECTION	TITLE
X.	±0.60	X.	±5°		Solar Connectors Wire to Board
.X	±0.38	.X	±3°	mm	W/ Lock Type (1500V)
.XX	±0.25	.XX	±2°	A4	SERIES DS1162-01 SERIES
DRAWING TYPE		CUSTOMER		晨翔电子有限公司 CONNFLY CONNELY ELECTRONIC CO. LTD	
SCALE		SHEET			
DRAWING NO.		2 OF 4			
		C-DS1162-01-XXXXX-A			

The information provided herein is from CONNELY Electronic Co., Ltd. and is confidential. Any disclosure to a party other than the recipient is prohibited. The intellectual properties and its rights contained herein, including but not limited to, trademarks, patents, copyrights, trade secrets, and technical know-how, are owned exclusively by CONNELY or its affiliates. Unauthorized use or reproduction is strictly prohibited. CONNELY reserves the right to modify the product specifications and designs without notice. CONNELY may enforce its intellectual property rights at its own discretion, failures or delays to exercise such rights does not constitute a waiver of such rights.

Male



Female



(Series Image-Reference Only)

REV.	DESCRIPTION	DRAWN	CHECKED	APPROVED
A	NEW RELEASE	JLZ 05/06/22'		

- Notes:**
- Specifications:**
- Contact Resistance: 0.5mΩ Max.
 - Insulation Resistance: 1000MΩ Min.
 - Dielectric Withstanding Voltage: 6000V AC(rms) For 1 Minute.
 - Current Rating: 30A.
 - Voltage Rating: 1000V DC rms.
 - Temperature: -40°C~+85°C.
 - Cable size: 2.5~6mm².
 - Waterproof rated: IP67.
- Materials:**
- Insulating material: Thermoplastic, UL 94 V-0.
 - Contact: Red Copper, Tin plated.
 - Fingers: Beryllium Copper, Tin Plated.
 - Clip: Stainless Steel.
 - Sealing: Silicone rubber, White&Red.
- Product Number Code:**

DS1162-01 - X X X X X X

- Voltage Type
2: 1000V
- Packing Type
1: Mix packing(Female+Male/Bag)
2: Separation packing(Female/Bag or Male/Bag)
Q:N*Female/Bag+N*Male/Bag+N*Male Contact/Bag
+Female Contact/Bag
- Housing color
B: Black
- Contact plating
6: Tin
- Mounting type
C: Locking type
- Connector type
F: Female M: Male
A: Female+Male

GENERAL TOLERANCE	ANGLE TOLERANCE	PROJECTION		TITLE	Solar Connectors Wire to Wire
X. ±0.60	X. ±5°	UNITS	mm		W/ Lock Type (1000V)
.X ±0.38	.X ±3°	SHEET SIZE	A4	SERIES	DS1162-01 SERIES
.XX ±0.25	.XX ±2°				

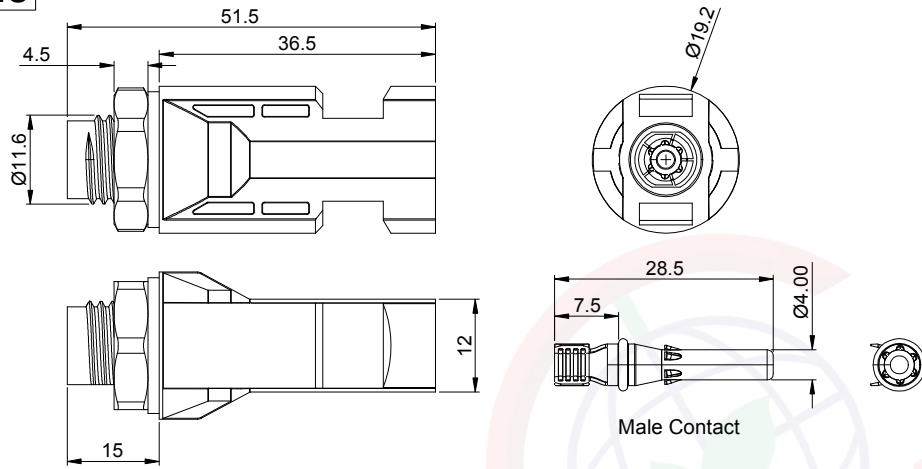
DRAWING TYPE	CUSTOMER		
SCALE	1:1	SHEET	3 OF 4
DRAWING NO.	C-DS1162-01-XXXXX-A		

晨翔电子有限公司
CONNFLY CONNELY ELECTRONIC CO. LTD

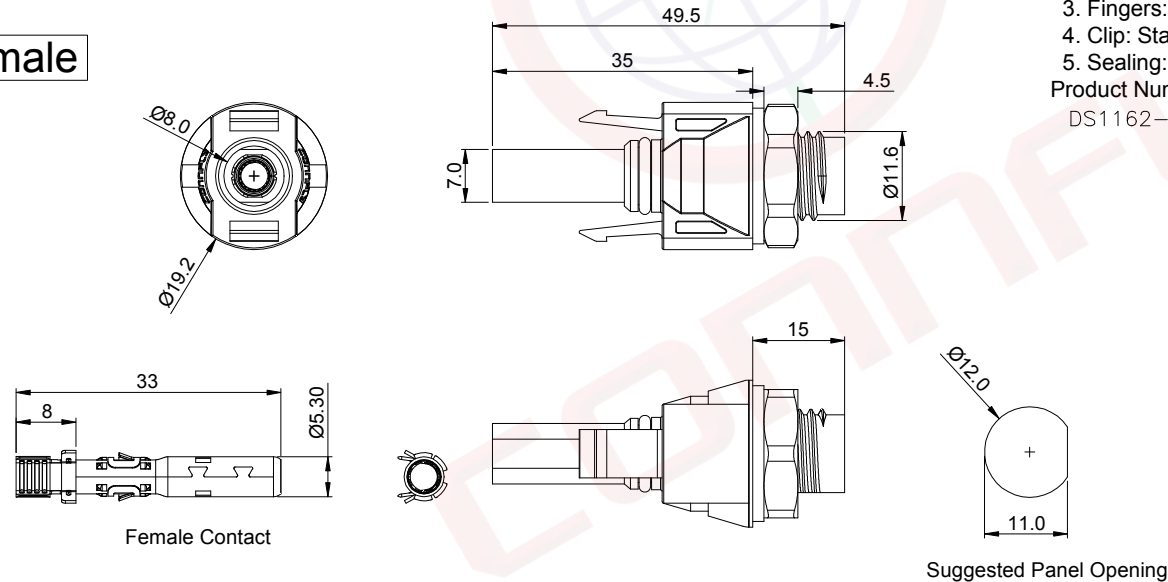
Dept
Qty
DC 1
ED 1
IE 1
ISO 1
PD 1
R&D 1
SD 1
QA 1
QC 1
QE 1

The information provided herein is from CONNELY Electronic Co., Ltd. and is confidential. Any disclosure to a party other than the recipient is prohibited. The intellectual properties and its rights contained herein, including but not limited to, trademarks, patents, copyrights, trade secrets, and technical know-how, are owned exclusively by CONNELY or its affiliates. Unauthorized use, reproduction, copying, or distribution of this information is strictly prohibited. CONNELY reserves the right to modify the product design and specifications without notice and does not assume any responsibility for errors or omissions. CONNELY may enforce its intellectual property rights at its own discretion, failures or delays to exercise such rights does not constitute a waiver of such rights.

Male



Female



REV.	DESCRIPTION	DRAWN	CHECKED	APPROVED
A	NEW RELEASE	JLZ 05/06/22'		

- Notes:**
- Specifications:**
- Contact Resistance: 0.5mΩ Max.
 - Insulation Resistance: 1000MΩ Min.
 - Dielectric Withstanding Voltage: 6000V AC(rms) For 1 Minute.
 - Current Rating: 30A.
 - Voltage Rating: 1000V DC rms.
 - Temperature: -40°C~+85°C.
 - Cable size: 2.5~6mm².
 - Waterproof rated: IP67.

- Materials:**
- Insulating material: Thermoplastic, UL 94 V-0.
 - Contact: Red Copper, Tin plated.
 - Fingers: Beryllium Copper, Tin Plated.
 - Clip: Stainless Steel.
 - Sealing: Silicone rubber, White&Red.

Product Number Code:
DS1162-01 - X X X X X X

- Voltage Type
2: 1000V
- Packing Type
1: Mix packing(Female+Male/Bag)
2: Separation packing(Female/Bag or Male/Bag)
Q:N*Female/Bag+N*Male/Bag+N*Male Contact/Bag +Female Contact/Bag
- Housing color
B: Black
- Contact plating
6: Tin
- Mounting type
V: Panel type
- Connector type
F: Female M: Male
A: Female+Male

GENERAL TOLERANCE		ANGLE TOLERANCE		PROJECTION		TITLE
X.	±0.60	X.	±5°	UNITS	mm	Solar Connectors Wire to Board W/ Lock Type (1000V)
.X	±0.38	.X	±3°	SHEET SIZE	A4	SERIES DS1162-01 SERIES
.XX	±0.25	.XX	±2°			
DRAWING TYPE		CUSTOMER		晨翔电子有限公司 CONNFLY CONNELY ELECTRONIC CO. LTD		
SCALE	1:1	SHEET	4 OF 4			
DRAWING NO.	C-DS1162-01-XXXXX-A					