

REV.	DESCRIPTION	DRAWN	CHECKED	APPROVED
A	NEW RELEASE	HP 20/06/05		

NOTES:

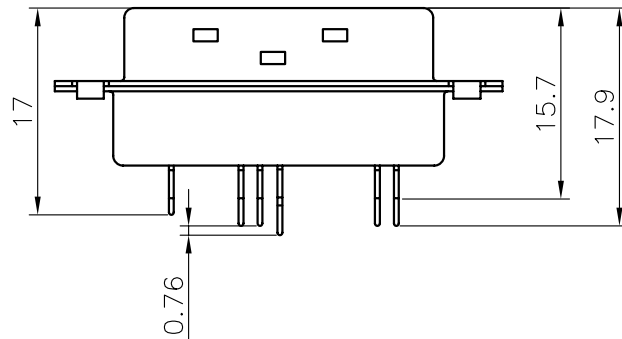
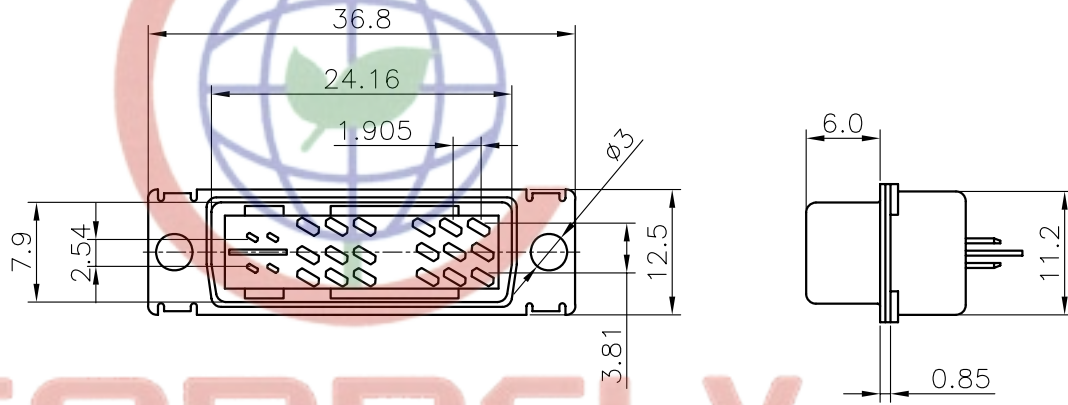
1. SPECIFICATIONS

- . Contact Resistance: 30mΩ max
- . Insulation Resistance: 1000MΩ min.
- . Current Rating: 1A
- . Dielectric withstanding voltage: AC 500V For 1 minute
- . Contact: Copper alloy.
- . Housing: Thermoplastic(UL 94V-0)

2. PRODUCT NUMBER CODE:

DS1087 - X X X X

- Screw type
X: W/O screw
S: W/ #4-40(UNC) screw
- Contact plating
0: Selective gold flash
- Shell plating
N: Nickel
6: Tin
- Color of housing
W:WHITE
B:BLACK
V:Ivory



Tel: 86-574-63508787

Fax: 86-574-63510817

GENERAL TOLERANCE		ANGLE TOLERANCE		PROJECTION		TITLE
X.	±0.60	X.	±5°	UNITS	mm	DVI PLUG 18+5(JDB-185)
.X	±0.38	.X	±3°	SHEET SIZE	A4	SERIES DS1087
.XX	±0.25	.XX	±2°			
DRAWING TYPE		CUSTOMER		晨翔电子有限公司 CONNFLY CONNFLY ELECTRONIC CO. LTD		
SCALE		1:1	SHEET 1 OF 1			
DRAWING NO.		C-DS1087-XXXX				

P.C.: 315321