

REV.	DESCRIPTION	DRAWN	CHECKED	APPROVED
A	NEW RELEASE	YCH 08/23/07'	~	

SPECIFICATION

1. Insulation Resistance:1000MΩ Min.
2. Withstand Voltage:500V AC/Minute.
3. Durability:600 Cycles Min.
4. Contact resistance:50mΩ max.
5. Product Number Code:

DS1123-04 - X X X X

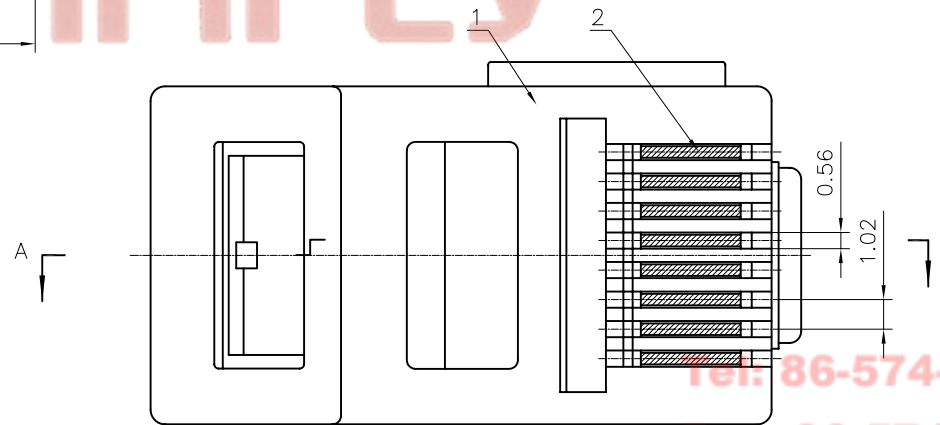
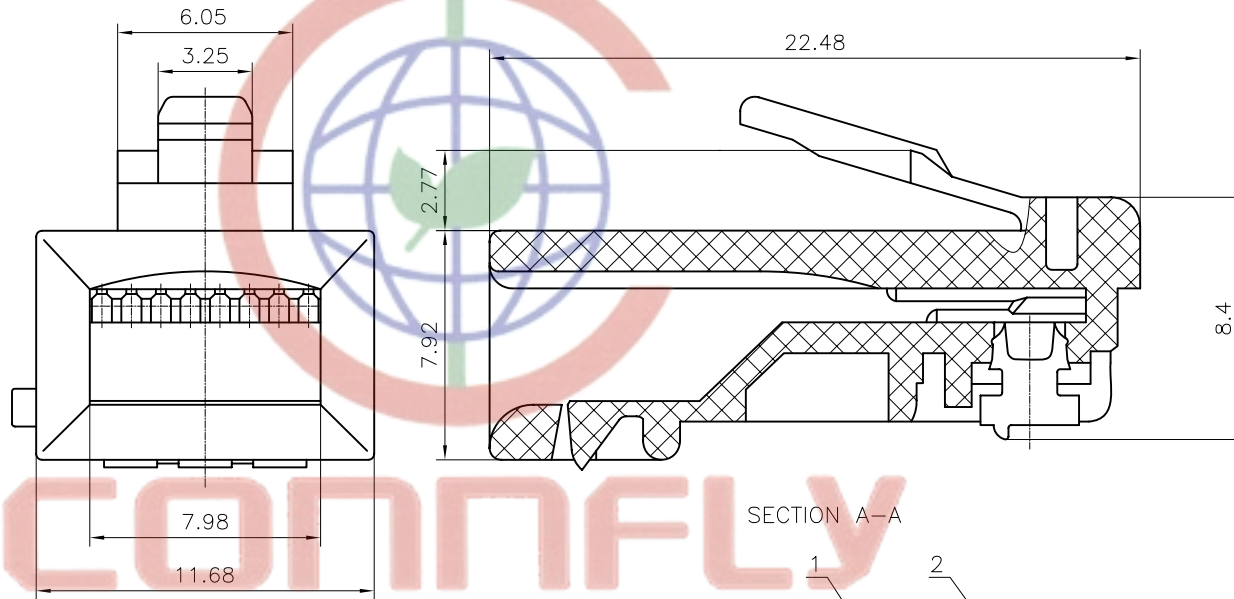
Housing Color
T:Transparent

Contact Plating
0:Gold Flash 15:15u''Au
3:3u''Au 30:30u''Au
6:6u''Au

No.Of Contacts
8:8p8c

Connector Type
P:Plug

Series No.
DS1123-04



Tel: 86-574-63508787

Fax: 86-574-63510817

No.	PART NAME	Q'TY	MATERIAL	REMARK
(2)	BLADE	8	Copper alloy	GOLD PLATING
(1)	HOUSING	1	PC	UL94 V-0 OR 94 V-2

GENERAL TOLERANCE		ANGLE TOLERANCE	
X.	±0.60	X.	±5'
.X	±0.38	.X	±3'
.XX	±0.25	.XX	±2'
DRAWING TYPE		CUSTOMER	
SCALE		1:1	
DRAWING NO.		C-DS1123-04-XXXX	

PROJECTION	TITLE
UNITS mm	Plug, 8P8C ROUND WITH KEY TYPE
SHEET SIZE A4	SERIES DS1123-04 SERIES



晨翔电子有限公司

CONNFLY CONNFLY ELECTRONIC CO. LTD

P.C.:315321